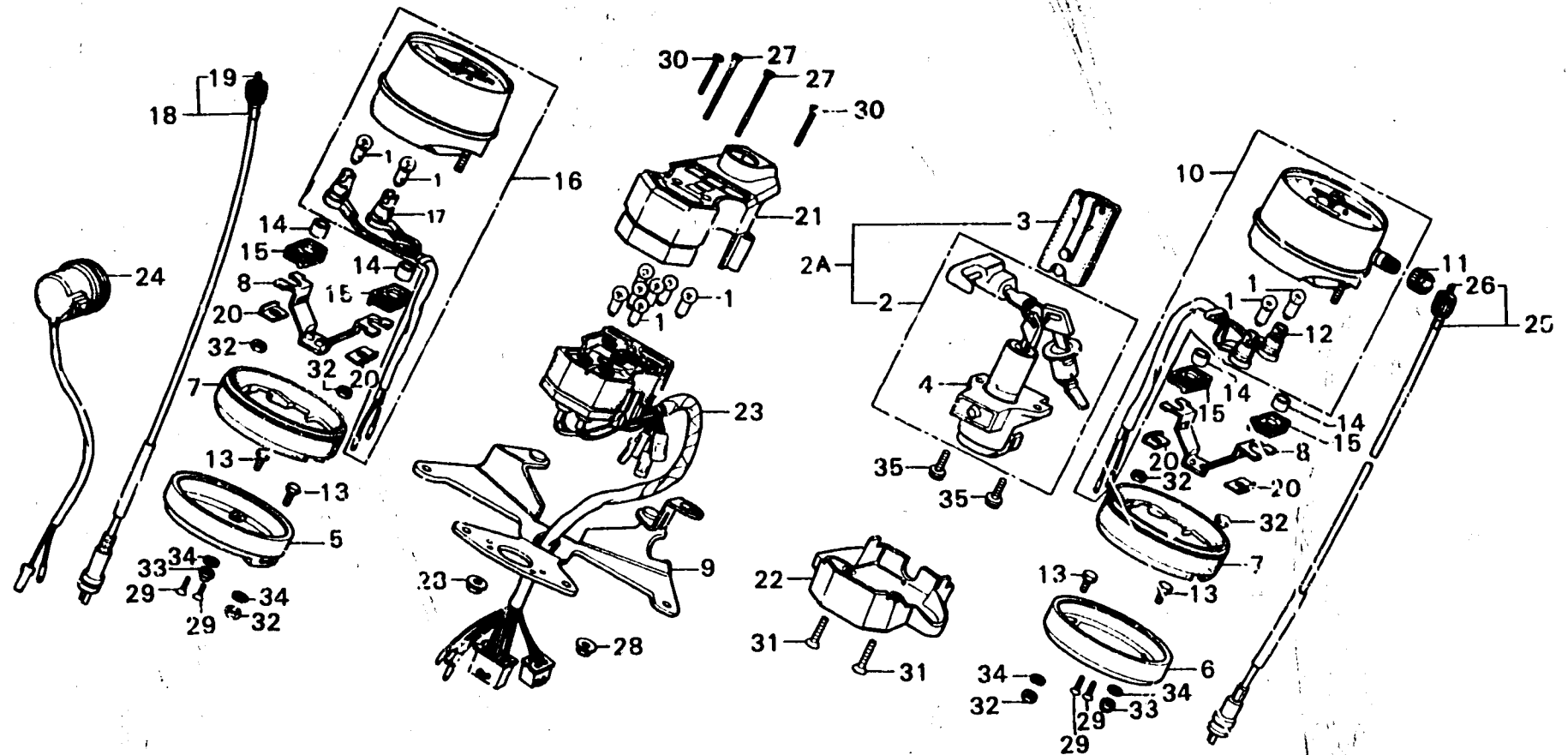


H 4

F-4

**Speedometer ·
Tachometer · Key set**



B371-19

| Service item | F.R.T. | Ref. No. | Part No. | Description | Reqd. No. | | Serial No. | Area code |
|--------------|--------|----------|---------------|--|-----------|---------------------|------------|------------------------|
| | | | | | GL1000 | GL1000 LTD K1 K2 | | |
| | | 16 | 37250-371-008 | TACHOMETER ASSY. (NIPPON SEIKI) | 1 | | | A |
| | | | 37250-371-681 | TACHOMETER ASSY. | 1 | 1 | | DK, DM, U |
| | | | 37250-371-961 | TACHOMETER ASSY. | | 1 | | A, CM, E, ED, F, G |
| | | | 37250-371-980 | TACHOMETER ASSY. | | 1 | | ED, F, G, U |
| | | | 37250-371-661 | TACHOMETER ASSY. | | | | A, CM |
| | | 17 | 37254-371-008 | SOCKET COMP., TACHOMETER (NIPPON SEIKI) | 1 | 1 | 1 | |
| | | 18 | 37260-371-000 | CABLE ASSY., TACHOMETER | 1 | 1 | 1 | |
| | | | 37260-371-980 | CABLE ASSY., TACHOMETER | | 1 | | |
| | | 19 | 37261-371-000 | CABLE, TACHOMETER INNER | 1 | 1 | 1 | |
| | | 20 | 37314-371-008 | WASHER, METER SET | 4 | 4 | 4 | |
| | | 21 | 37610-371-671 | COVER COMP., PILOT UPPER (NIPPON SEIKI) | 1 | 1 | 1 | A, CM |
| | | | 37610-371-680 | COVER COMP., PILOT UPPER | 1 | 1 | 1 | |
| | | 22 | 37617-371-008 | COVER, PILOT LOWER (NIPPON SEIKI) | 1 | 1 | 1 | DK, DM, E, ED, F, G, U |
| | | | 37619-371-670 | CORD COMP., PILOT | 1 | 1 | 1 | |
| | | | 37619-371-680 | CORD COMP., PILOT | 1 | 1 | 1 | A, CM |
| | | 24 | 38400-371-000 | BUZZER ASSY., WINKER | 1 | 1 | 1 | DK, DM, E, ED, F, G, U |
| | | 25 | 44830-371-000 | CABLE ASSY., SPEEDOMETER | 1 | 1 | | |
| | | | 44830-371-980 | CABLE ASSY., SPEEDOMETER | | 1 | | 3023192 |
| | | | 44830-371-010 | CABLE ASSY., SPEEDOMETER | | | 1 | 3023193 |
| | | 26 | 44831-371-000 | CABLE, SPEEDOMETER INNER | 1 | 1 | 1 | |
| | | | 44831-371-010 | CABLE, SPEEDOMETER INNER | | | 1 | 3023192 |
| | | | 44831-371-010 | CABLE, SPEEDOMETER INNER | | | 1 | 3023193 |

1979.04.10

H4