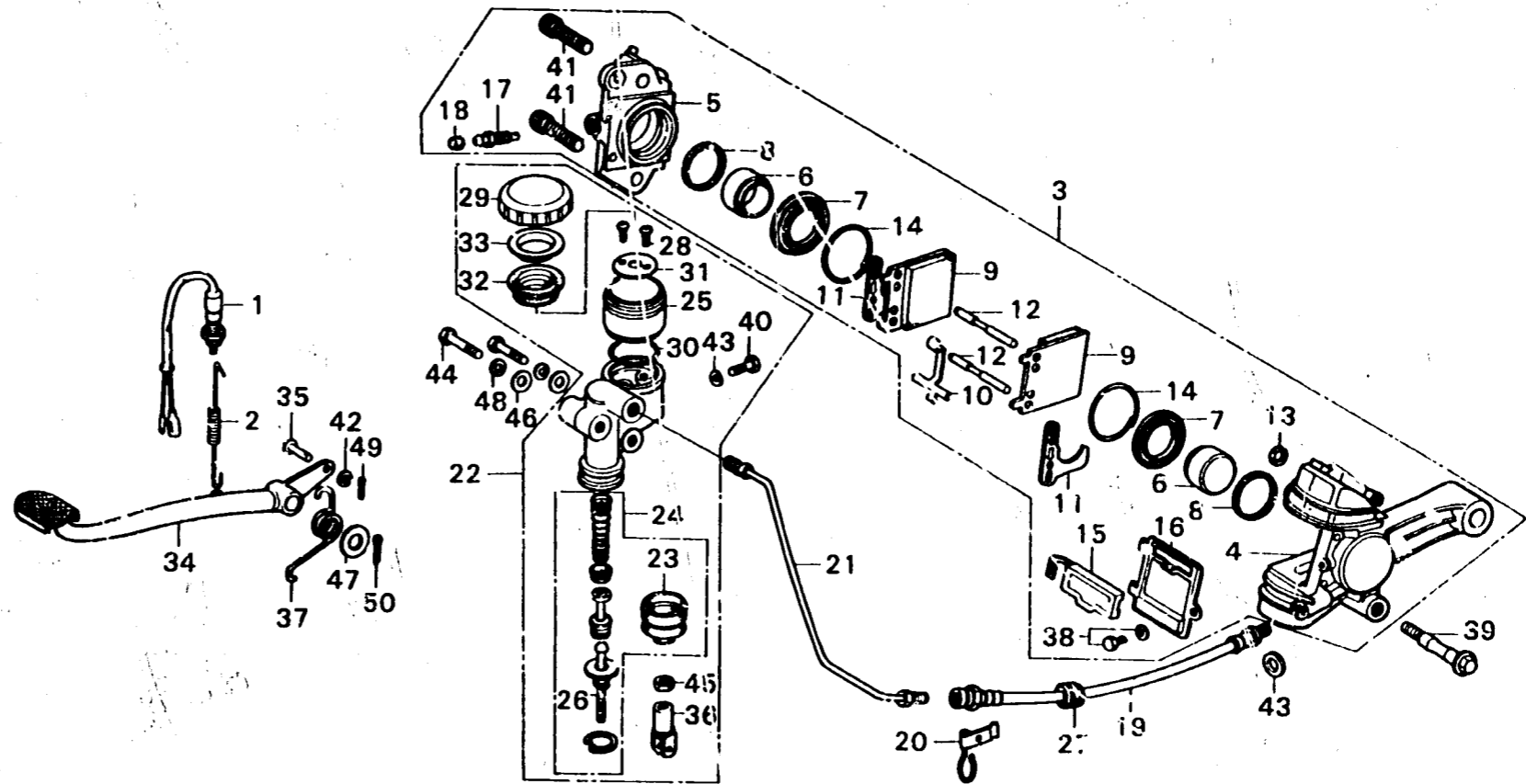


I 3

F-11

Rear master cylinder • Caliper



8371-26

Service item	F.R.T.	Ref. No.	Part No.	Description	Reqd. No.				Serial No.	Area code
					GL1000	GL1000	LTU	K1 K2		
REAR MASTER CYLINDER SET	0.9	1	35350-292-003	SWITCH ASSY., STOP (TOYO)	1	1	1	1		
•REAR BRAKE HOSE/PIPE		2	35357-046-000	SPRING, STOP SWITCH	1		1	1		
REAR MASTER CYLINDER ASSY.	0.7		35357-371-980	SPRING, STOP SWITCH			1			
CALIPER A./PISTON and those related parts	0.7	3	43200-371-006	CALIPER ASSY. (NISSHIN)						
CALIPER ASSY.	0.6		43200-371-016	CALIPER ASSY. (NISSHIN)	1				2004269	A, E, ED, F, G
OIL CUP/CUP PLATE	0.4		43200-371-016	CALIPER ASSY. (NISSHIN)			1	1		
•REAR BRAKE PEDAL/SPRING					1	1	1	1	2004270	A, E, ED, F, G
PAD and its related parts	0.1						1	1		CM, DK, DM, U
•One or all		4	43201-371-006	CALIPER A (NISSHIN)	1	1	1	1		A, E, ED, F, G
STOP SWITCH ASSY./SPRING	0.1	5	43202-371-006	CALIPER, B. (NISSHIN)	1	1	1	1		
		6	43205-371-006	PISTON (NISSHIN)	2	2	2	2		
		7	43207-371-006	COVER, DUST (NISSHIN)	2	2	2	2		
		8	43209-371-006	SEAL, PISTON	2	2	2	2		
		9	43211-371-006	PAD COMP. (NISSHIN)	2					
			43211-392-016	PAD COMP. (NISSHIN)			2		2004269	A, E, ED, F, G
							2	2		A, E, ED, F, G
							2	2	2004270	CM, DK, DM, U
							2	2		A, E, ED, F, G
		10	43213-371-006	SPRING, PAD SET (NISSHIN)	1	1	1	1		
		11	43214-371-006	SHIM, PAD (NISSHIN)	2	2	2	2		
		12	43215-371-006	PIN, PAD (NISSHIN)	2	2	2	2		
		13	43217-371-006	SEAL, JOINT (NISSHIN)	1	1	1	1		
		14	43218-371-006	CLIP, DUST COVER	2	2	2	2		
		15	43219-371-006	COVER, INDICATOR	1	1	1	1		
		16	43241-371-006	COVER, PAD (NISSHIN)	1	1	1	1		

1979.04.10

13