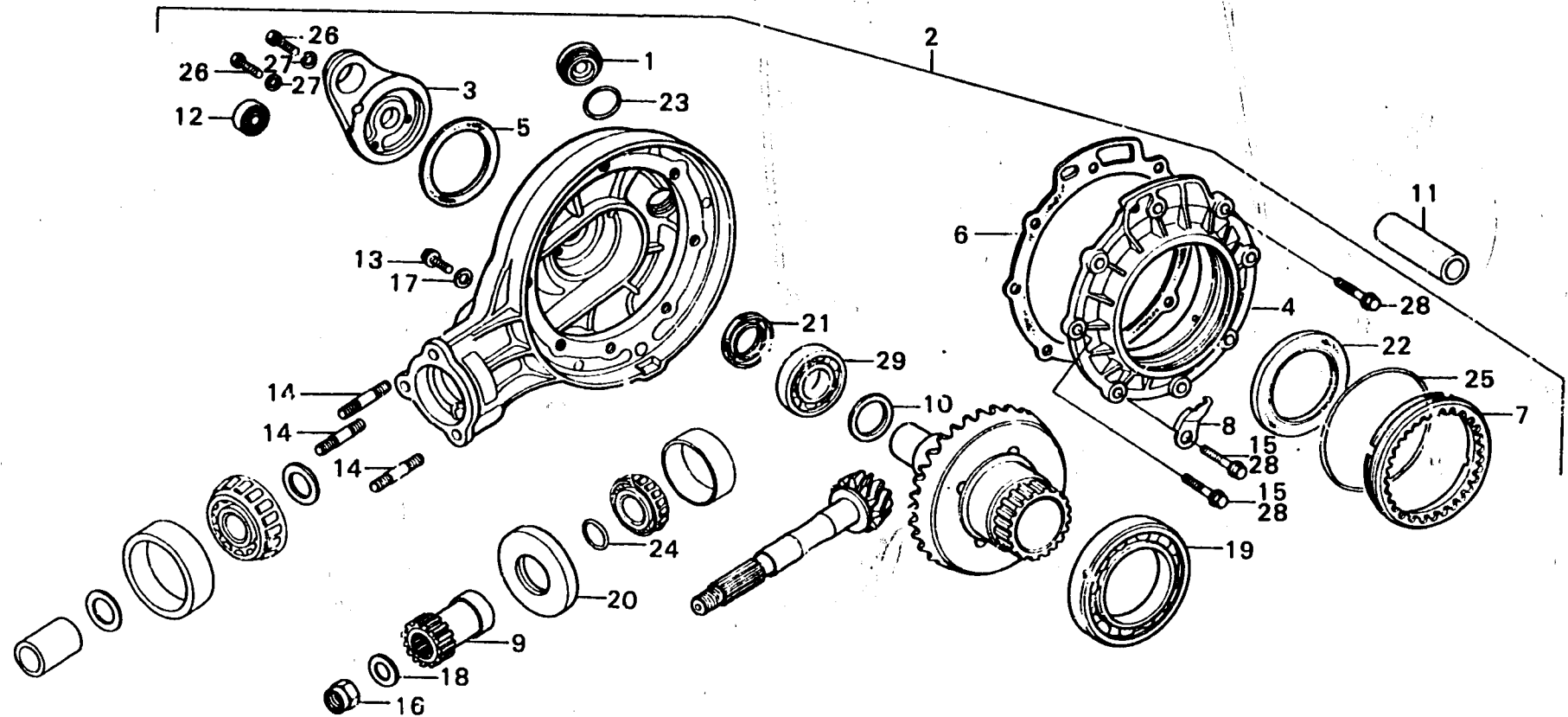


I 10

F-13

Final driven gear



B371-28

Service item	F.R.T.	Ref. No.	Part No.	Description	Reqd. No.			Serial No.	Area code
					GL1000	GL1000	LTDK1 K2		
		15	90134-371-000	BOLT, FLANGE, 10X38		2		2040166	DK,DM,E,ED,F,G,U
		16	90381-371-000	NUT, HEX., 16MM	1	1	1		
		17	90471-580-000	WASHER, 8MM	1	1	1		
		18	90581-371-000	WASHER, PLAIN, 16MM	1	1	1		
		19	91051-371-004	BEARING, 6914 (KOYO)	1	1	1		
		20	91261-371-003	OIL SEAL, 32X67X8	1				
			91261-371-013	OIL SEAL, 32X67X8		1		1023764	1023763 A,DK,DM,E,ED,F,G,U A,DK,DM,E,ED,F,G,U CM
						1	1		
		21	91263-371-003	OIL SEAL, 35X52X8	1	1	1		
		22	91265-371-003	OIL SEAL, 70X90X8	1	1	1		
		23	91302-001-020	O-RING, 30.8MM	1	1	1		
		24	91306-921-000	O-RING, 20.8X2.4	1	1	1		
		25	91355-371-003	O-RING, 96.5X2.0	1	1	1		
		26	92000-08016-00	BOLT, HEX., 8X16	3		3		
			90043-371-980	BOLT, HEX., 8X16		3			
		27	94101-08200	WASHER, PLAIN, 8MM	3		3		
			90082-371-980	WASHER, PLAIN, 8MM		3			
		28	95700-08032	BOLT, FLANGE, 8X32	8				
			90133-371-000	BOLT, FLANGE, 8X32		8		1023764	1023763 A,DK,DM,E,ED,F,G,U 2040165 A,DK,DM,E,ED,F,G,U 2040165 CM
						8			
						6		2040166	DK,DM,E,ED,F,G,U
					8		6		

1979-04.10

110