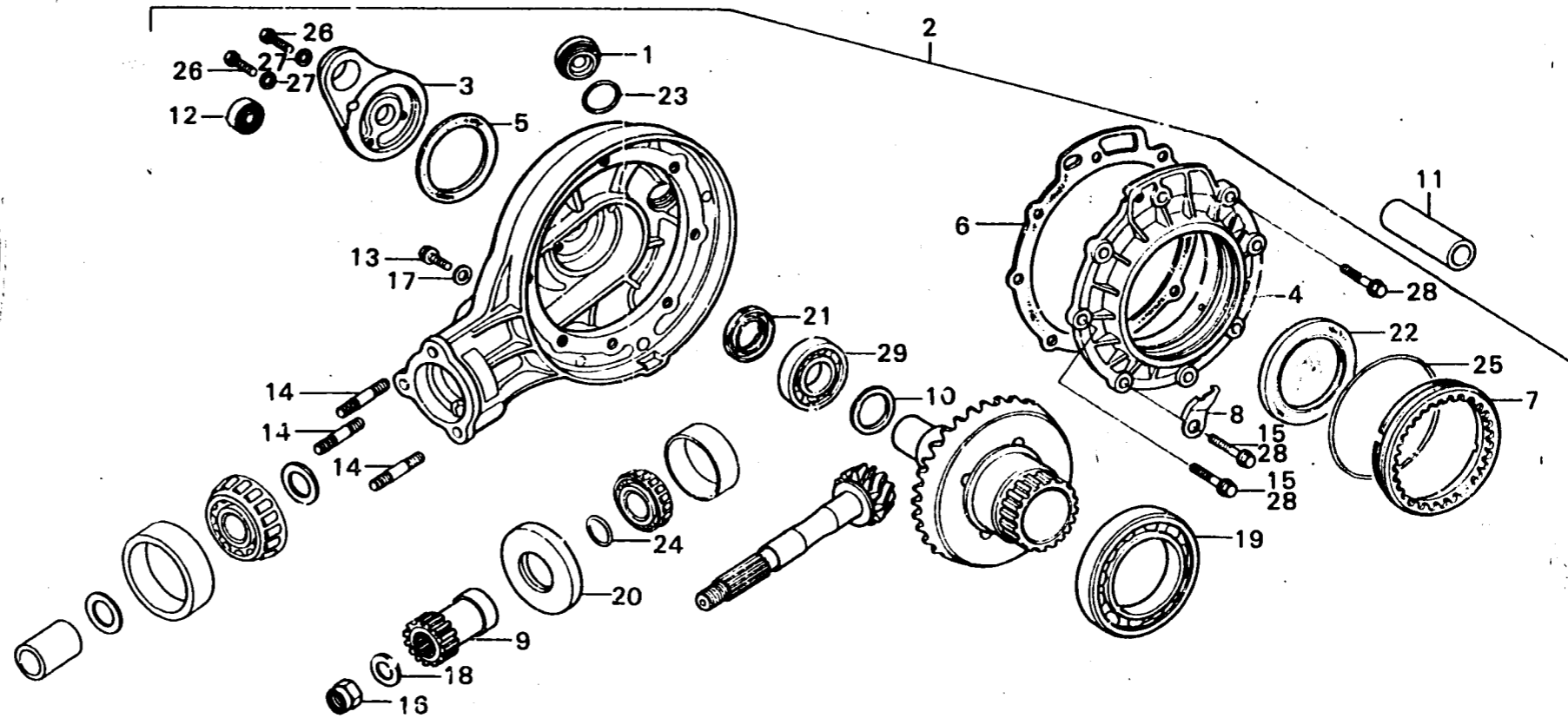


I 11

F-13

Final driven gear



B371-28

Service item	F.R.T.	Ref. No.	Part No.	Description	Reqd. No.				Serial No.	Area code
					GL1000	GL1000	LTD K1	K2		
		29	96103-60070-00	BEARING, RADIAL BALL, 6007	1	1	1	1		

1979.04.10

111