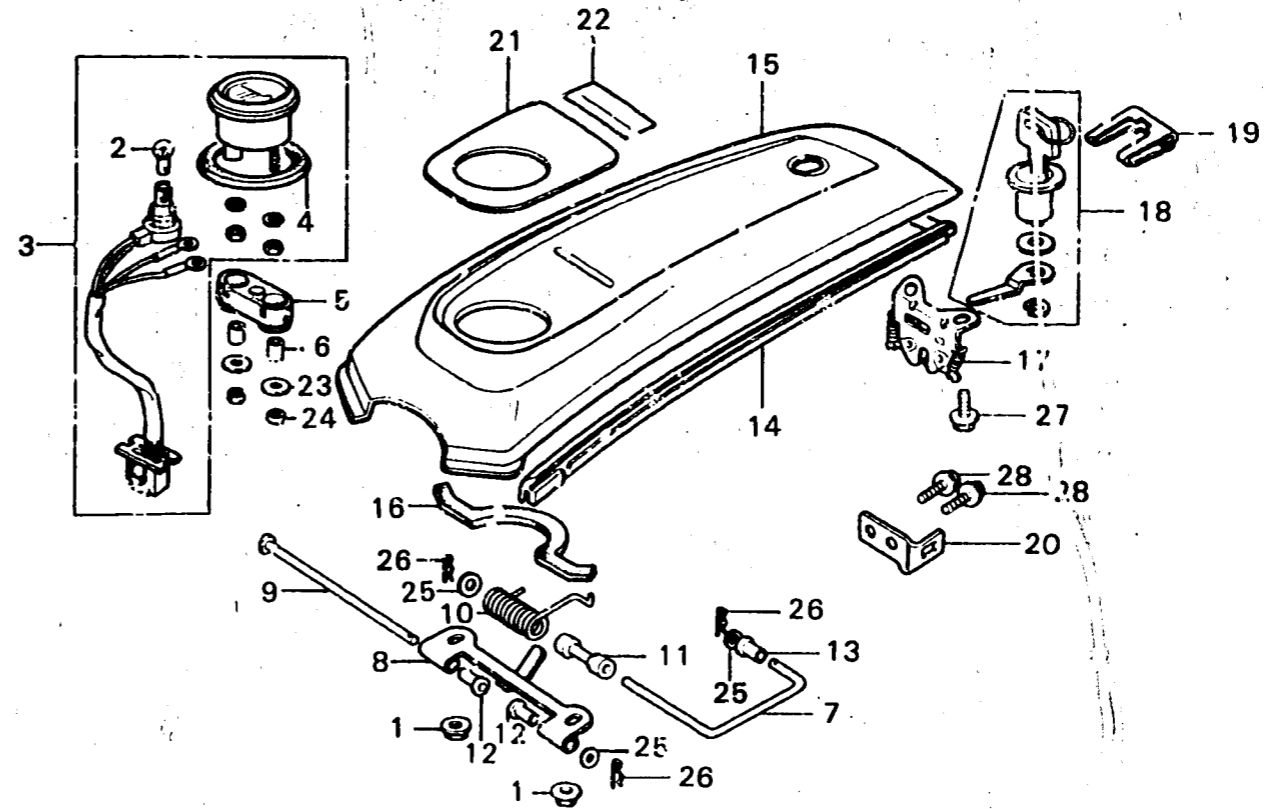


**I 12**

**F-14**

**Fuel meter • Top shelter**



B371-29

Service item	F.R.T.	Ref. No.	Part No.	Description	GL1000	Reqd. No.		Serial No.	Area code
						GL1000	LTD K1 K2		
TOP SHELTER	0.5	1	18362-720-000	NUT, FLANGE, 6MM	2	2	2		
FUEL METER	0.2		18362-371-980	NUT, FLANGE, 6MM		2			
TOP SHELTER LOCK/TOP CYLINDER	0.1	2	34902-259-000	BULB, DASH (12V3.4W)	1	1	1		
•SHELTER WEATHERSTRIP		3	37300-371-008	METER ASSY., FUEL	1				A
•DUSH BULB			37300-371-980	METER ASSY., FUEL (NIPPON SEIKI)		1			
•FUEL METER SET RUBBER			37300-371-681	METER ASSY., FUEL	1		1		DK, DM, U
•TOP SHELTER HINGE and its related parts			37300-371-661	METER ASSY., FUEL (NIPPON SEIKI)			1		A, CM, E, ED, F, G
		4	37305-371-008	RUBBER, FUEL METER GUIDE (NIPPON SEIKI)	1	1	1	1	
		5	37806-371-000	RUBBER, FUEL METER SET	1	1	1	1	
		6	37807-371-000	COLLAR, FUEL METER SET	2	2	2	2	
		7	50413-371-000	ROD, STOPPER	1	1	1	1	
		8	50414-371-000	HINGE, TOP SHELTER	1	1	1	1	
		9	50416-371-000	PIN, TOP SHELTER HINGE	1	1	1	1	
		10	50417-371-000	SPRING, TOP SHELTER	1	1	1	1	
		11	50421-371-000	COLLAR, SHELTER SET	2	1	1	1	
		12	50424-371-000	BUSH, TOP HINGE	2	2	2	2	
		13	50426-371-000	BUSH, STOPPER ROD	1	1	1	1	
		14	50428-371-000	WEATHERSTRIP, SHELTER	1	1	1	1	
		15	50430-371-000ZA	SHELTER, TOP *R-6C-S*	1		1		
			50430-371-000ZB	SHELTER, TOP *PB-2C-S*	1		1		
			50430-371-000ZC	SHELTER, TOP *Y-34*			1		2002809
			50440-371-980ZL	SHELTER, TOP *R-7C-C*	1		1		E, ED, F, G
			50430-371-000ZD	SHELTER, TOP *N4-1*			1		A, CM, DK, DM, U