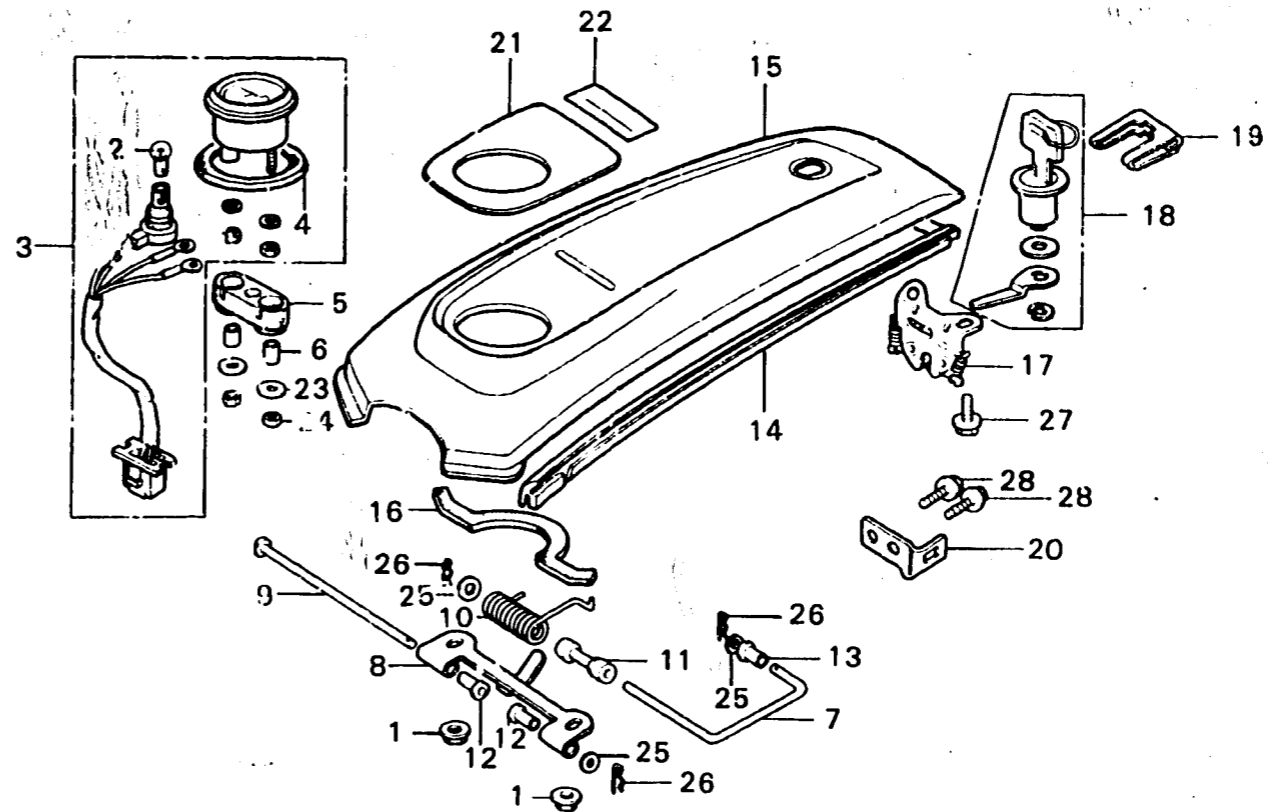


I 13

F-14

Fuel meter • Top shelter



B371-29

Service item	F.R.T.	Ref. No.	Part No.	Description	Reqd. No.		Serial No.	Area code
					GL1000	GL1000 LTDK1 K2		
			50430-371-000ZE	SHELTER, TOP *PII-6C-S*		1		
		16	50432-371-300	SEAL, TOOL TRAY	1	1	1	1
		17	50436-371-003	LOCK, TOP SHELTER	1		1	1
			50436-371-980	LOCK, TOP SHELTER		1		
		18	50437-371-003	CYLINDER, TOP	1			
			50437-371-007	CYLINDER, TOP (HONDA LOCK)		1	2040166	2040165 DK,DM,E,ED,F,G,U
			50437-371-980	CYLINDER, TOP		1		1
		19	73225-611-000	SPRING, LOCK KEY SET	1			1002105 A
			75581-605-004	SPRING, DOOR LOCK KEY SET	1		1002106	A DK,DM,U A,CM,E,ED,F,G
		20	85121-371-000	STRIKER, SHELTER	1	1	1	1
		21	87128-371-000	EMBLEM, TOP SHELTER	1		1	1
			87128-371-980	EMBLEM, TOP SHELTER		1		
		22	87560-375-680A	MARK, DRIVE CAUTION	1	1	1	1
			87560-375-680B	MARK, DRIVE CAUTION		1	2002809	E,ED,F,G A,CM,DK,DM,U
		23	90555-357-000	WASHER, SPECIAL, 4MM	2	2	2	2
		24	94001-04000-05	NUT, HEX., 4MM	2	2	2	2
		25	94101-04000	WASHER, PLAIN, 4MM	3	3	3	3
		26	94251-04000	PIN, LOCK, 4MM	3	3	3	3
		27	95700-06010-08	BOLT, FLANGE, 6X10	2		2	2
			91581-371-980	BOLT, FLANGE, 6X10		2		
		28	95700-06012-08	BOLT, FLANGE, 6X12	2		2	2
			91582-371-980	BOLT, FLANGE, 6X12		2		

1979.04.10

113