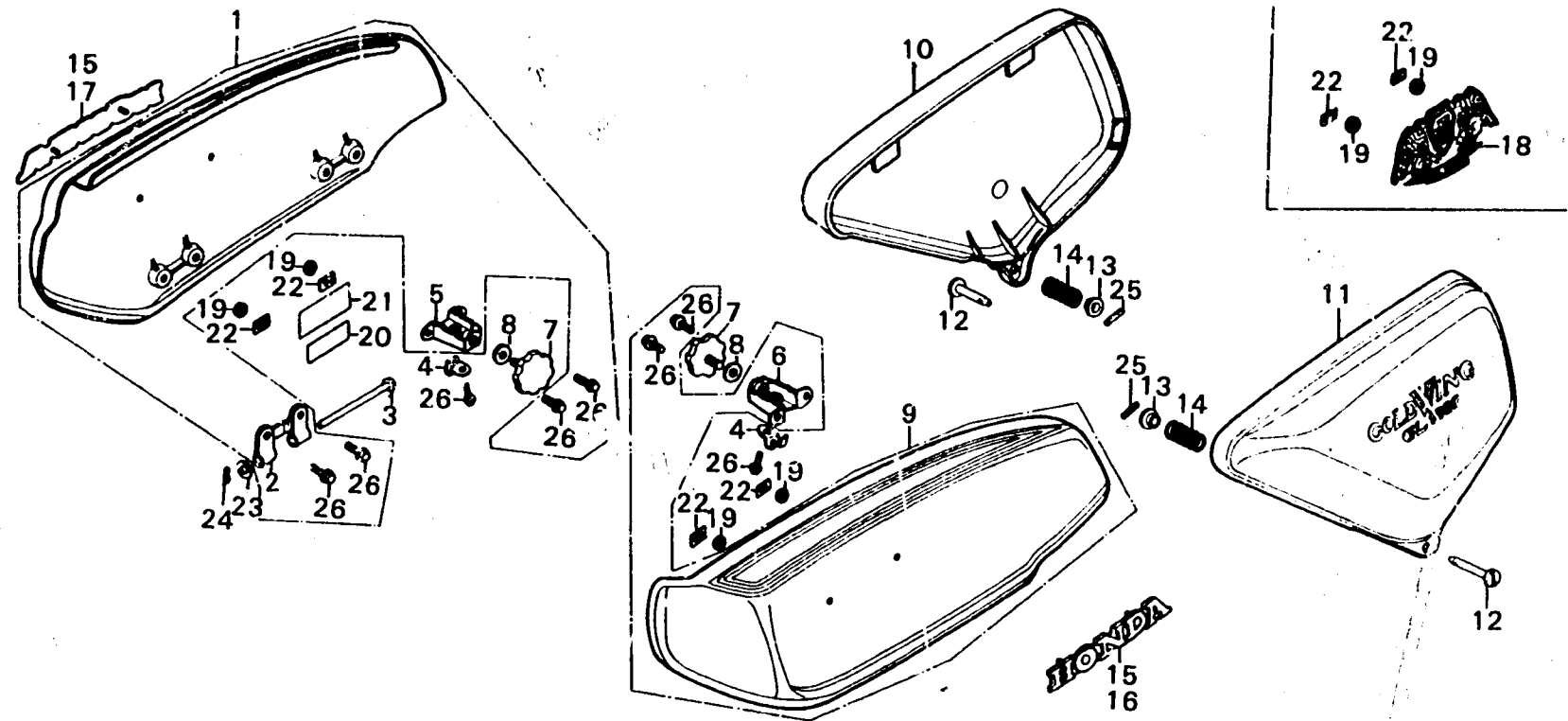


I 14

F-15

Side shelter • Side cover



B371-30

Service item	F.R.T.	Ref. No.	Part No.	Description	Reqd. No.		Serial No.	Area code
					GL1000	GL1000 LTD K1 K2		
SIDE SHELTER COMP/SHELTER HINGE •One motorcycle 0.2	0.1	1	83100-371-305ZA	SHELTER COMP., R. SIDE * R-6C-S *	1			
SIDE COVER COMP. •One or all	0.1		83100-371-305ZB	SHELTER COMP., R. SIDE * PB-2C-S *	1			
			83100-371-980ZL	SHELTER COMP., R. SIDE *R-7C-C*	1			
			83100-371-610ZA	SHELTER COMP., R. SIDE *R-6C-S*	1			
			83100-371-610ZB	SHELTER COMP., R. SIDE *PB-2C-S*	1			
			83100-371-610ZC	SHELTER COMP., R. SIDE *Y-34*	1		2002809	E, ED, F, G A, CM, DK, DM, U
			83100-371-661ZA	SHELTER COMP., R. SIDE *R-6C-S*	1			
			83100-371-661ZB	SHELTER COMP., R. SIDE *NH-1*	1			
			83100-371-661ZC	SHELTER COMP., R. SIDE *PB-6C-S*	1			
		2	83105-371-000	HINGE, SHELTER	4	4	4	
			83105-371-980	HINGE, SHELTER	4	4	4	
		3	83109-371-000	PIN, SHELTER HINGE	4	4	4	
		4	83119-371-000	STAY, SHELTER STOPPER	2	2	2	
			83119-371-980	STAY, SHELTER STOPPER	2	2	2	
		5	83125-371-000	BRACKET, R. SHELTER	1	1	1	
			83125-371-010	BRACKET, R. SHELTER	1	1	1	2040166 2040165 DK, DM, E, ED, F, G, U
		6	83126-371-000	BRACKET, L. SHELTER	1	1	1	2040165
					1			
					114			

1979.04.10

114