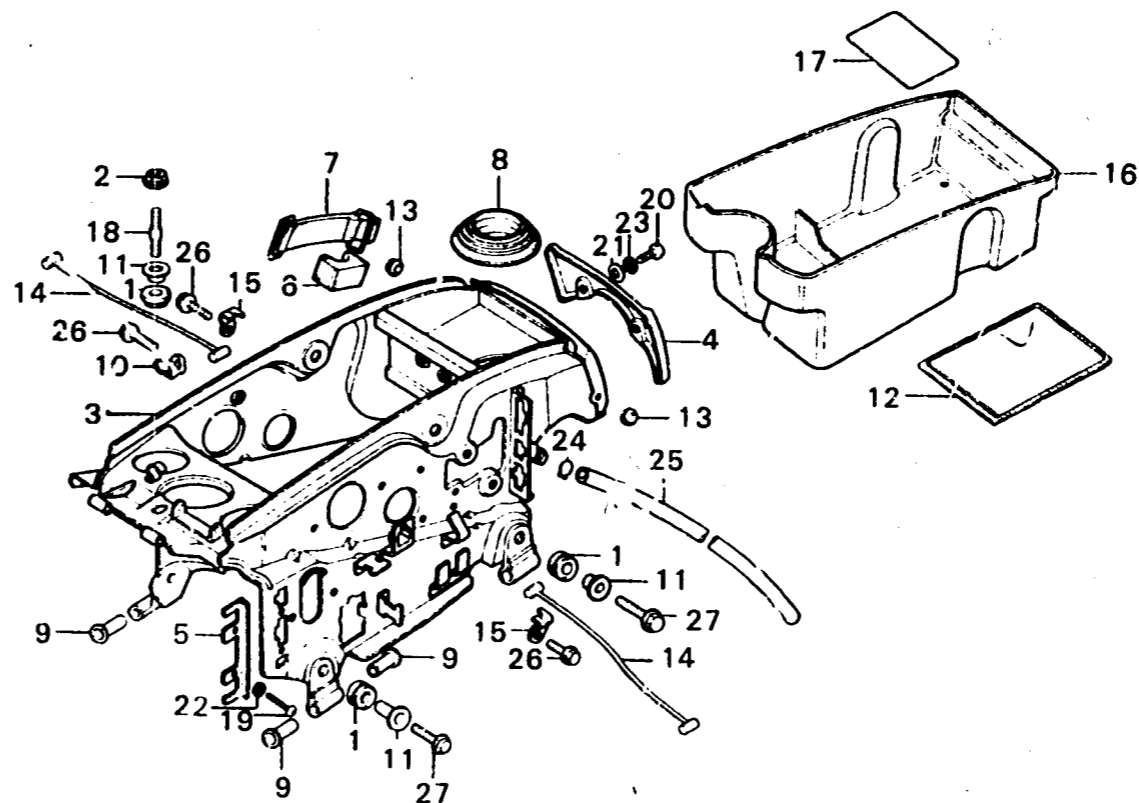


J 3

F-16

Shelter frame • Tool tray



B371-31

Service item	F.R.T.	Ref. No.	Part No.	Description	Reqd. No.				Serial No.	Area code
					GL1000	GL1000	LTDK1	K2		
		17	87512-371-670	MARK, ACCESSORIES & LOADING CAUTION	1	1	1	1		A,CM
		18	92718-06032-10	BOLT, STUD, 6X32	1	1	1	1		
		19	93500-03016-0A	SCREW, PAN, 3X16	2					
			93500-03010-0A	SCREW, PAN, 3X10			2		2011072	2011071 A,DK,DM,E,ED,F,G,U A,DK,DM,E,ED,F,G,U CM
		20	93500-06012	SCREW, PAN, 6X12	2	2	2	2		
		21	94101-06000	WASHER, PLAIN, 6MM	2	2	2	2		
		22	94111-03000	WASHER, SPRING, 3MM	2	2	2	2		
		23	94111-06000	WASHER, SPRING, 6MM	2	2	2	2		
		24	95002-02130	CLIP B12.5, TUBE	1	1	1	1		
		25	95003-27082-30	TUBE, VINYL, 9X13X820	1	1	1	1		
		26	95700-06010-08	BOLT, FLANGE, 6X10	3		3	3		
			91581-371-980	BOLT, FLANGE, 6X10			3			
		27	95700-06022-08	BOLT, FLANGE, 6X22	4		4	4		
			90142-371-980	BOLT, FLANGE, 6X22			4			

1979.04.10

J3