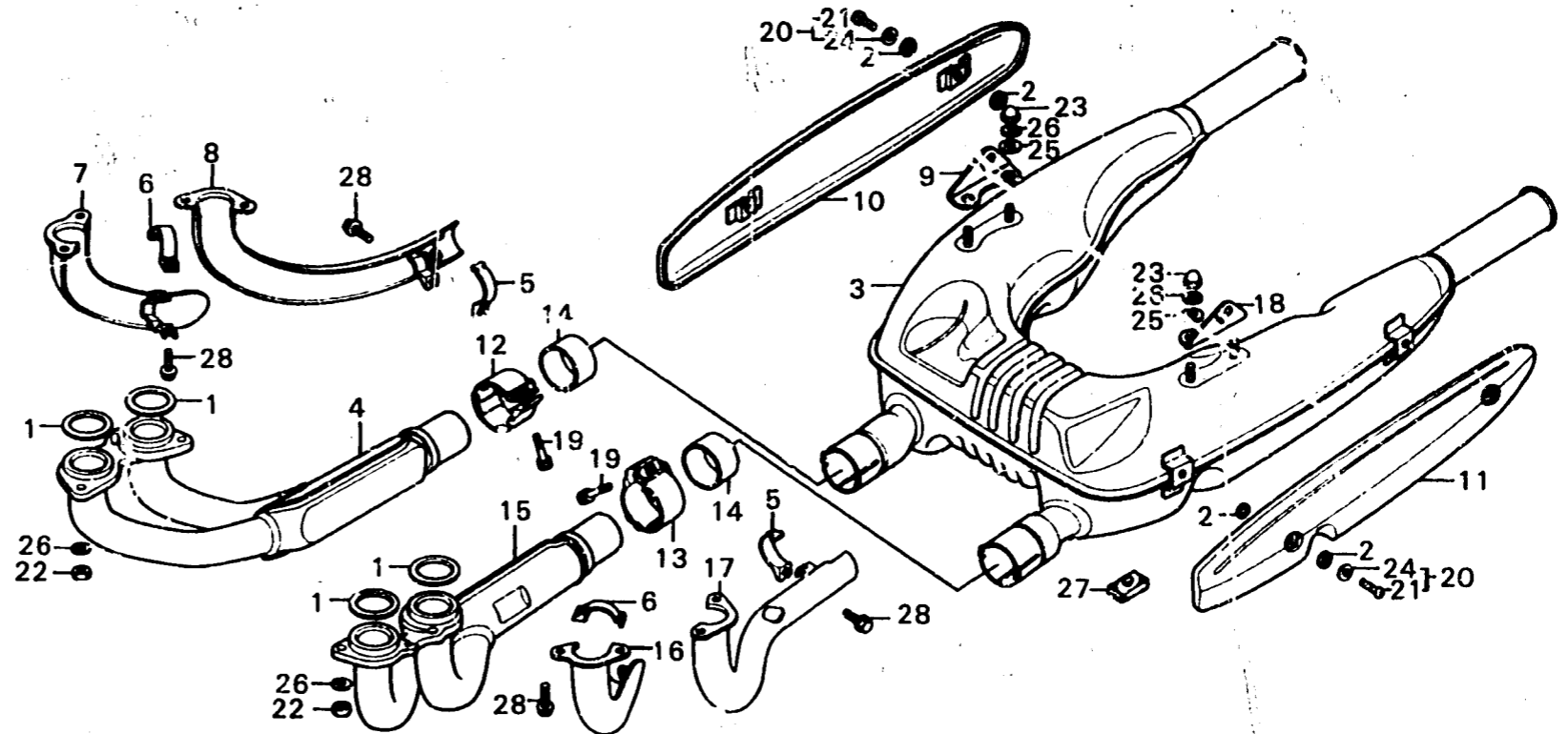


**J 12**

**F-20**

**Exhaust muffler**



B371-35A

Service item	F.R.T.	Ref. No.	Part No.	Description	Reqd. No.		Serial No.	Area code
					GL1000	GL1000 LTDK1 K2		
MUFFLER COMP	0.5	1	18291-286-000	GASKET, EX. PIPE	4	4		
MUFFLER BRACKET	0.3	2	18292-329-000	PACKING, PROTECTOR	8	8		
•One or all		3	18310-371-000	MUFFLER COMP.	1			
EXHUST PIPE and its related parts	0.2		18310-371-010	MUFFLER COMP.		1	2040166	2040165 DK,DM,E,ED,F,G,U
•Add 0.1			18310-371-980	MUFFLER COMP.		1		
MUFFLER PROTECTOR	0.1	4	18320-371-000	PIPE, R. EX.	1			
•One or all			18320-371-010	PIPE, R. EX.		1	2040166	2040165 DK,DM,E,ED,F,G,U
			18320-371-980	PIPE, R. EX.		1		
		5	18326-371-660	BAND A, EX. PIPE	1	2		
		6	18327-371-660	BAND B, EX. PIPE		2		
		7	18328-371-660	COVER COMP., R. FR. EX. PIPE		1		
		8	18329-371-660	COVER COMP., R. RR. EX. PIPE		1		
		9	18340-371-000	BRACKET, R. MUFFLER	1	1		
			18340-371-980	BRACKET, R. MUFFLER		1		
			18340-371-660	BRACKET, R. MUFFLER		1		
		10	18350-371-000	PROTECTOR, R. MUFFLER	1	1		
			18350-371-980	PROTECTOR, R. MUFFLER		1		
		11	18360-371-000	PROTECTOR, L. MUFFLER	1	1		
			18360-371-980	PROTECTOR, L. MUFFLER		1		
		12	18371-371-300	BAND, R. MUFFLER	1	1		
			18371-371-980	BAND, R. MUFFLER		1		
		13	18372-371-300	BAND, L. MUFFLER	1	1		
			18372-371-980	BAND, L. MUFFLER		1		
		14	18391-292-300	PACKING, MUFFLER	2	2		

1979.04.10

J12