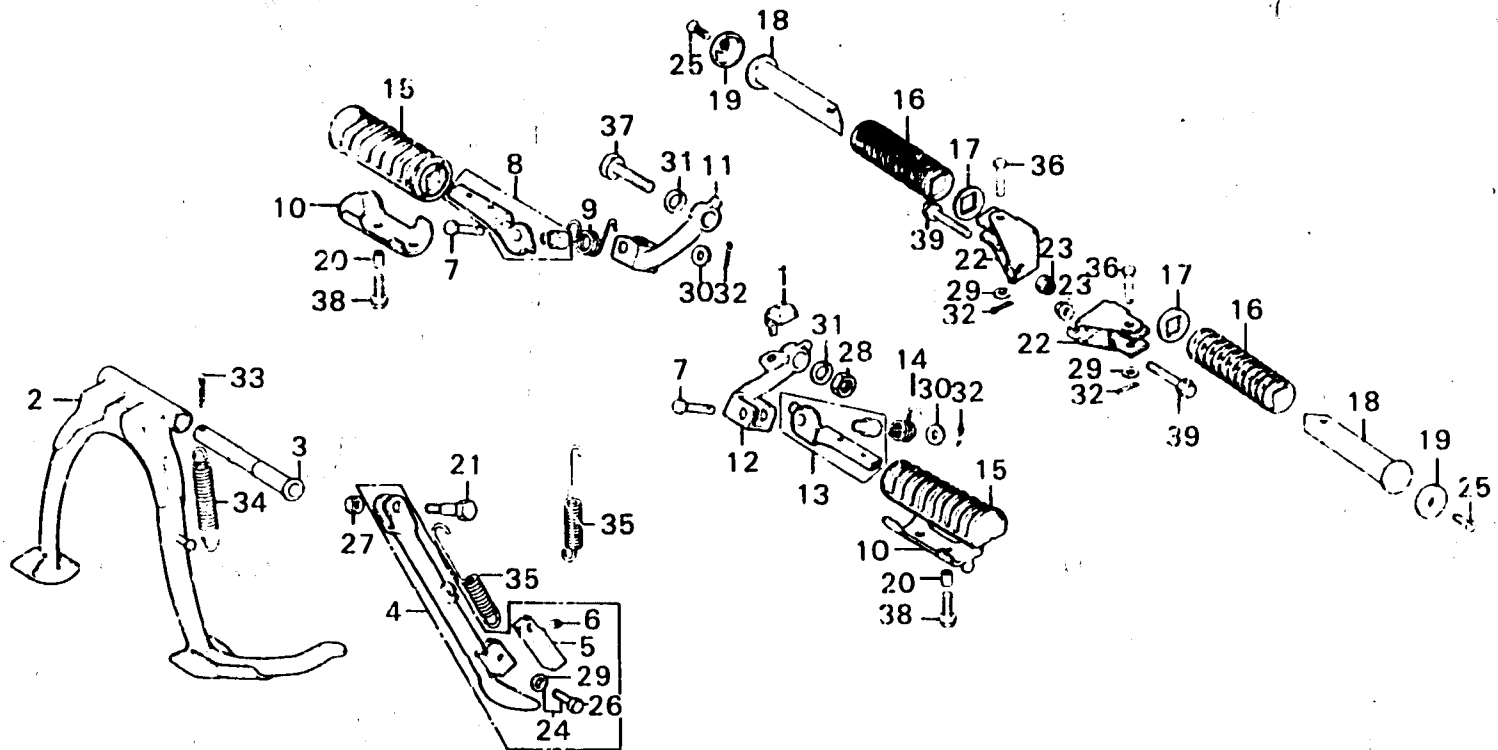


J 16

F-21

Step - Stand



8371-35

Service item	F.R.T.	Ref. No.	Part No.	Description	Reqd. No.		Serial No.	Area code
					GL1000	GL1000 LTD K1 K2		
			90167-371-980	BRACKET, PILLION STEP		2		
			90167-371-660	BRACKET, PILLION STEP				
		23	90201-329-000	NUT, FLANGE, 10MM	2	2	2	
		24	91516-371-980	BOLT-WASHER, 6X28		1		
		25	91524-371-980	SCREW, OVAL, 4X12		2		
			93700-04012-08	SCREW, OVAL, 4X12				2
		26	92000-06028	BOLT, HEX., 6X28	1	1	1	
		27	94001-10000-05	NUT, HEX., 10MM	1			
			90324-001-810	NUT, RR, CUSHION UNDER SETTING		1		
						1	2016001	2016000
					1	1		A
						1		A
						1		A
						1		CM,CK,DM,E,ED,F,G,U
						1		DK,DM,U
						1		A,CM,E,ED,F,G
		28	94001-12000-05	NUT, HEX., 12MM	1	1	1	
			91544-371-980	NUT, CAP, 12MM		1		
			94021-12020-05	NUT, CAP, 12MM				1
		29	94101-06000	WASHER, PLAIN, 6MM	3	3	3	
			91550-371-980	WASHER, PLAIN, 6MM		2		
		30	94101-08000	WASHER, PLAIN, 8MM	2	2	2	
			90082-371-980	WASHER, PLAIN, 8MM		2		
		31	94111-12000	WASHER, SPRING, 12MM	2	2	2	
			91565-371-980	WASHER, SPRING, 12MM		2		
		32	94201-16150	PIN, SPLIT, 1.6X15	4	4	4	
		33	94201-25250	PIN, SPLIT, 2.5X25	1	1	1	
		34	95014-71701	SPRING G, MAIN STAND	1	1	1	
			91571-371-980	SPRING C, MAIN STAND		1		
		35	95014-72401	SPRING D, SIDE STAND	1	1	1	
			91570-371-960	SPRING A, SIDE STAND		2		
								A,CM,DK,DM,E,ED,F,U
								G

1979.04.10

J16