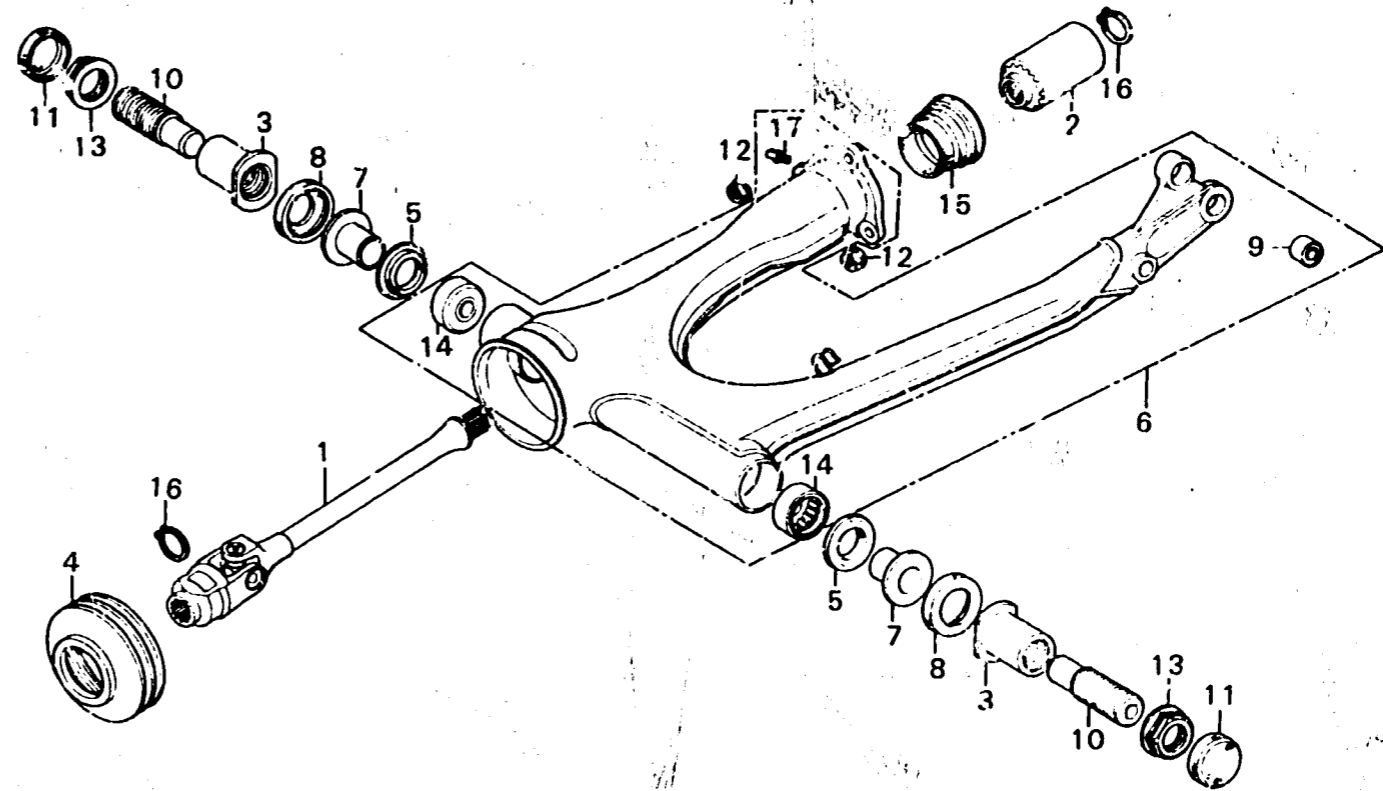


K 2

F-22

Rear fork • Propeller shaft



B371-37

Service item	F.R.T.	Ref. No.	Part No.	Description	Reqd. No.			Serial No	Area code
					GL1000	GL1000 LTD K1 K2			
BK2518L BEARING •One or all	1.2	1	40200-371-000	SHAFT COMP., PROPELLER 40200-431-670	1	1	1		
REAR DAMPER BUSH •PROPELLER SHAFT COMP.	1.1	2	40210-371-003	SHAFT COMP., PROPELLER JOINT, PROPELLER SHAFT	1	1	1		
FORK PIVOT NUT •Add 0.1	1.1	3	50197-371-300	NUT, FORK PIVOT	2	2	2		
REAR FORK ASSY./PIVOT COLLAR PROPELLER SHAFT JOINT	1.0 0.6	4 5	52105-371-000 52109-371-000	BOOT, JOINT BUSH, PIVOT THRUST	1 2	1 2	1 2		
		6	52120-371-305	FORK ASSY., RR.	1				
			52120-371-315	FORK ASSY., RR.			1	2002809	2002808 E,ED,F,G 2019697 E,ED,F,G
			52120-371-325	FORK ASSY., RR.			1	2019698	2019697 A,CM,DK,DM,U
			52120-371-980	FORK ASSY., RR.			1		
		7	52141-371-000	COLLAR, PIVOT	2	2	2		
		8	52145-371-000	COVER, PIVOT DUST	2	2	2		
		9	52451-357-000	BUSH, RR, DAMPER	1	1	1		
		10	90121-371-000	BOLT, PIVOT	2				
			90121-371-010	BOLT, PIVOT			2	2010664	2010663
							2		
		11	90303-371-000	CAP, LOCK NUT	2	2	2		
		12	90308-357-000	NUT, HEX., 10MM	3		3		
			90308-371-980	NUT, HEX., 10MM		3			
		13	90354-371-000	NUT, LOCK, 23MM	2				
			90354-371-010	NUT, LOCK, 23MM			2	2010664	2010663
							2		
		14	91071-371-003	BEARING (BK2518L TOYO)	2	2	2		
			1979.04.10		1.2				