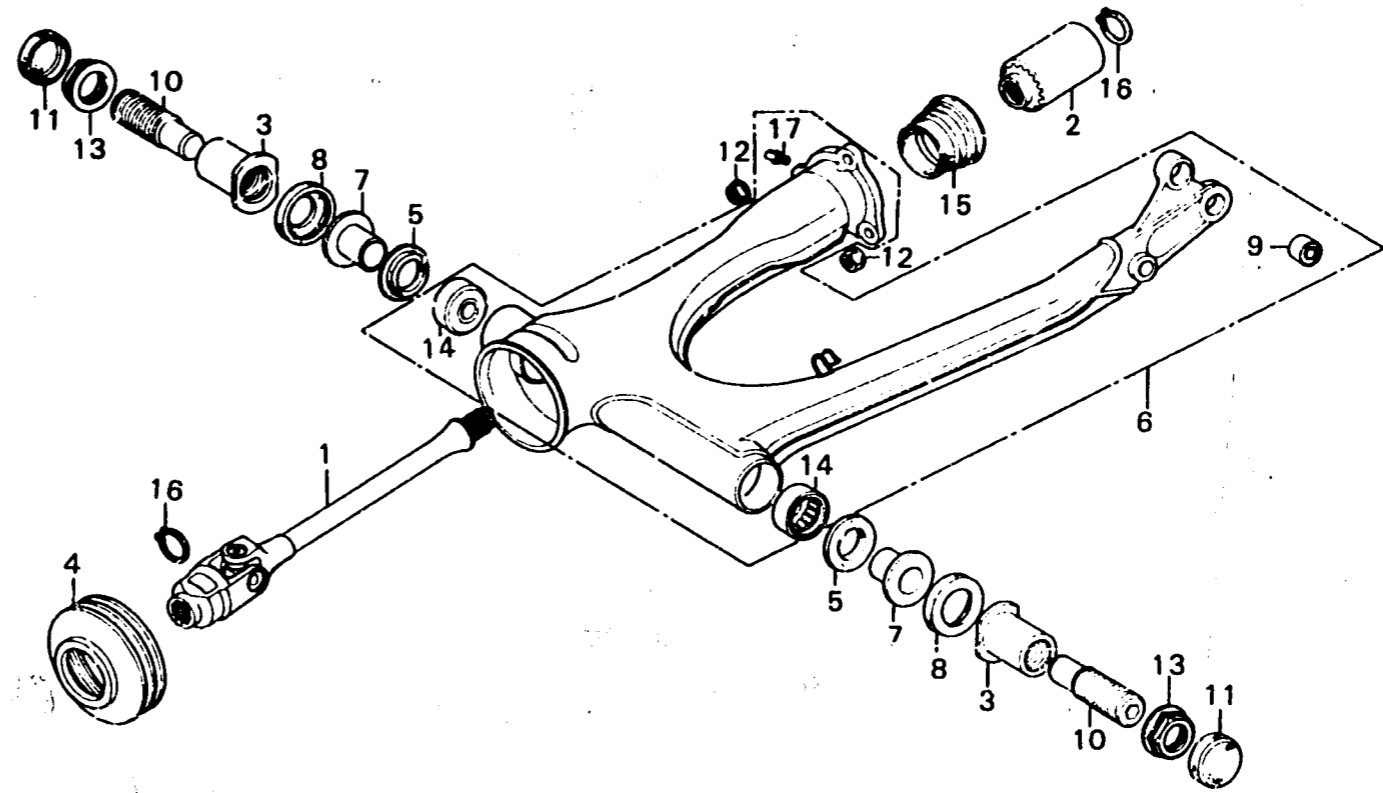


K 3

F-22

Rear fork • Propeller shaft



B371-37

Service item	F.F.I.T.	Ref. No.	Part No.	Description	Reqd. No.			Serial No.	Area code
					GL1000	GL1000	LTDK ¹ K2		
		15	91267-371-003	OIL SEAL, 43X67X32	1	1	1		A, CM, DK, DM, U
					1		1		E, ED, F, G
						1		2002809	E, ED, F, G
		16	94510-20000	CIR CLIP, EXTERNAL, 20	2	2	2		
		17	96201-10000	NIPPLE, GREASE, A, T6	1	1	1		A, CM, DK, DM, U
					1		1		E, ED, F, G
						1		2002809	E, ED, F, G

1979.04.10

K3