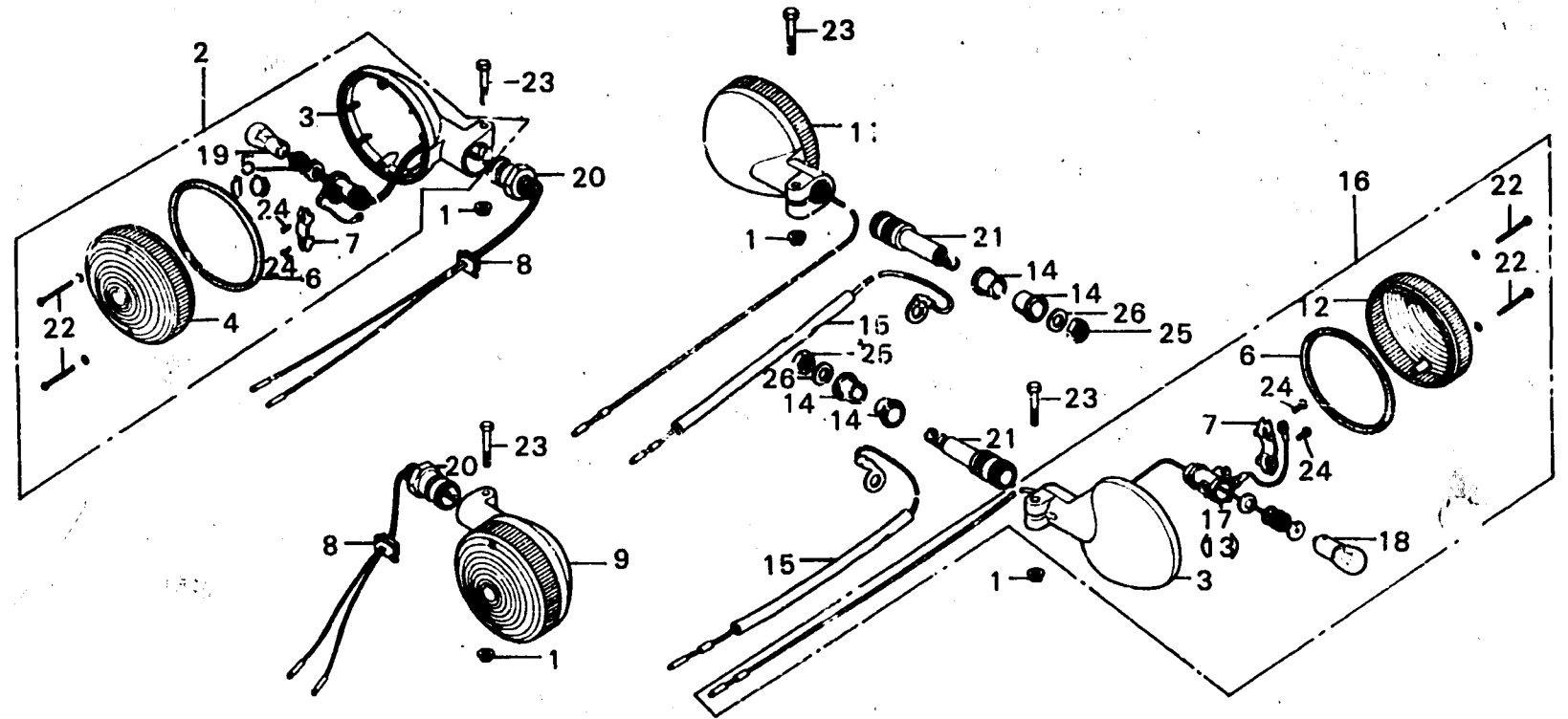


**K 7**

**F-25**

**Winker**



B371-40

Service item	F.R.T.	Ref. No.	Part No.	Description	Reqd. No.				Serial No.	Area code
					GL1000	GL1000 LTD K1	K2			
FRONT WINKER ASSY. and its related parts •Add 0.2 at front winker	0.3	1	18362-720-000	NUT, FLANGE, 6MM	4	4	4	4		
REAR WINKER ASSY. and its related parts •Add 0.1	0.2	2	33400-377-671	WINKER ASSY., R. FR.	1		1	1	A, CM	
WINKER LENS/BULB	0.1		33400-390-003	WINKER ASSY., R. FR.	1		1	1	DK, DM, U	
			33400-371-601	WINKER ASSY., R. FR.			1	1	E, ED, F, G	
			33400-371-951	WINKER ASSY., R. FR.		1			ED, F, G	
			33400-371-981	WINKER ASSY., R. FR.		1			A, CM	
			33400-371-911	WINKER ASSY., R. FR.		1			U	
			33401-377-671	BASE, R. FR. WINKER	4		4	4	A, CM	
			33401-371-951	BASE, WINKER		4			ED, F, G, U	
			33401-371-981	BASE, WINKER		4			A, CM	
			33401-390-003	BASE, R. FR. WINKER	4		4	4	DK, DM, E, ED, F, G, U	
			33402-377-671	LENS, FR. WINKER	2	2	2	2		
	5	33403-377-671	SOCKET COMP. F. FR. WINKER	1	1	1	1	A, CM		
		33603-377-671	SOCKET COMP. L. WINKER	1	1	1	1	DK, DM, E, ED, F, G, U		
		6	33406-377-671	PACKING, WINKER LENS	4	4	4	4		
		7	33407-377-671	HOLDER, FR. WINKER SOCKET	4	4	4	4	A, CM, DK, DM, U	
			33407-371-601	HOLDER, FR. WINKER SOCKET	4	4	4	4	E, ED, F, G	
		8	33421-371-000	GROMMET, WINKER CORD	2	2	2	2		
		9	33450-377-671	WINKER ASSY., L. FR.	1		1	1	A, CM	
			33450-390-003	WINKER ASSY., L. FR.	1		1	1	DK, DM, U	
			33450-371-601	WINKER ASSY., L. FR.			1	1	A, CM, E, ED, F, G	
			33450-371-951	WINKER ASSY., L. FR.		1			E, ED, F, G	
			33450-371-981	WINKER ASSY., L. FR.		1			ED, F, G	
			33450-371-911	WINKER ASSY., L. FR.		1			A, CM	
			33450-390-003	WINKER ASSY., L. FR.				1	U	
		10	33453-377-671	SOCKET COMP., L. FR. WINKER	1	1	1	1	DK, DM, U	
			33653-377-671	SOCKET COMP., L. WINKER	1	1	1	1	A, CM	
									DK, DM, E, ED, F, G, U	

1979.04.10

K7