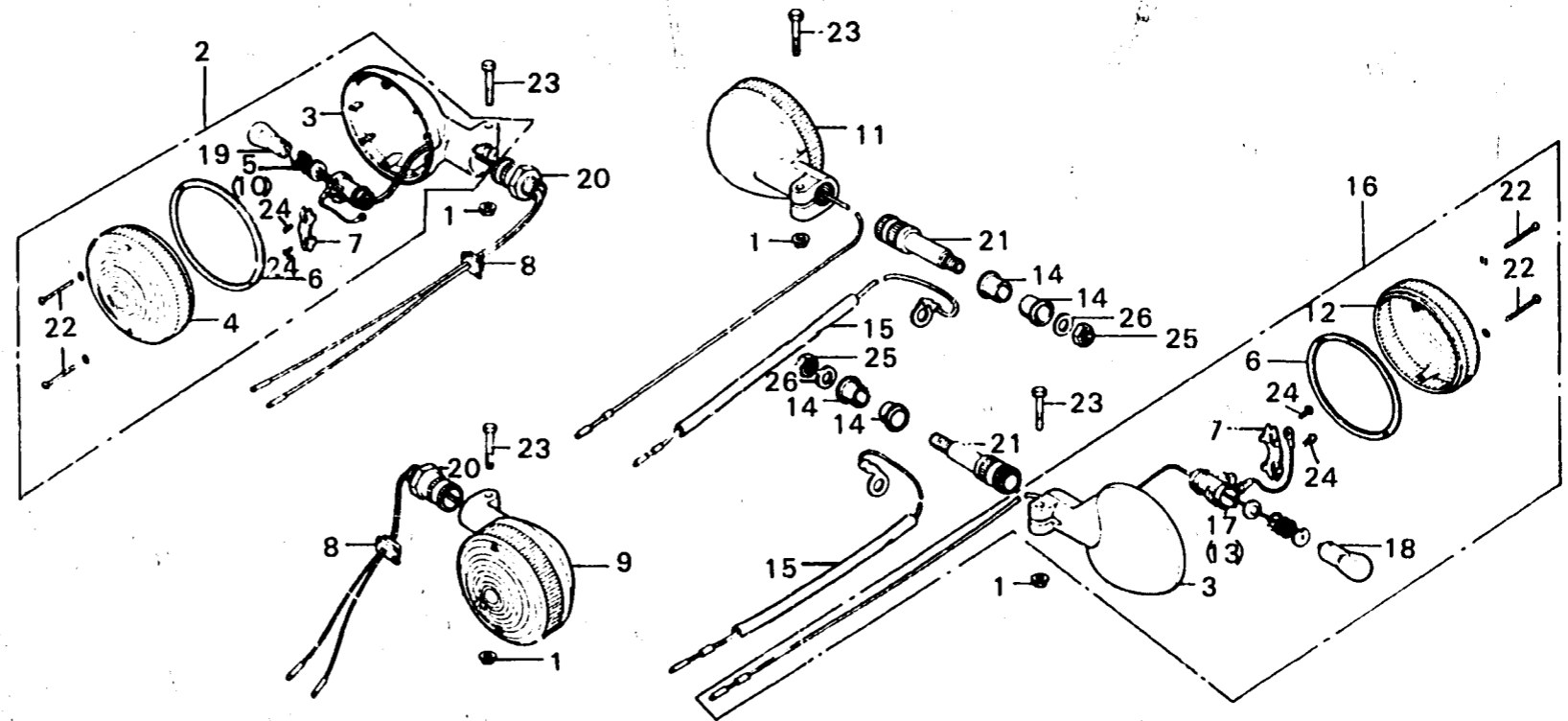


K 8

F-25

Winker



B371-40

Service item	F.R.T.	Ref. No.	Part No.	Description	Reqd. No.			Serial No.	Area code
					GL1000	GL1000	LTDK1 K2		
		11	33600-377-671	WINKER ASSY., R. RR.	1	1	1	A, CM	
			33400-390-003	WINKER ASSY., R. FR.	1	1	1	DK, DM, U	
			33600-371-601	WINKER ASSY., R. RR.		1		E, ED, F, G	
			33600-371-951	WINKER ASSY., R. RR.	1			ED, F, G	
			33600-371-981	WINKER ASSY., R. RR.	1			A, CM	
			33400-371-911	WINKER ASSY., R. FR.	1			U	
			33600-371-602	WINKER ASSY., R. RR.			1	E, ED, F, G	
		12	33602-371-601	LENS, RR, WINKER	2	2	2	E, ED, F, G	
			33402-377-671	LENS, FR, WINKER	2	2	2	A, CM, DK, DM, U	
		13	33605-377-671	SOCKET COMP., R. WINKER	1	1	1	A, CM, DK, DM, U	
			33605-374-671	SOCKET COMP., R. RR, WINKER	1	1		E, ED, F, G	
			33610-371-601	SOCKET COMP., R. RR.			1	E, ED, F, G	
		14	33606-371-000	RUBBER, RR, WINKER MOUNT	4	4	4	A, CM, DK, DM, U	
					4	4	4	E, ED, F, G	
		15	33620-371-000	CORD, WINKER EARTH	2	2	2	A, CM, DK, DM, U	
					2	2		E, ED, F, G	
		16	33650-377-671	WINKER ASSY., L. RR.	1	1	1	A, CM	
			33450-390-003	WINKER ASSY., L. FR.	1	1	1	DK, DM, U	
			33650-371-601	WINKER ASSY., L. RR.		1		E, ED, F, G	
			33650-371-602	WINKER ASSY., L. RR.			1	E, ED, F, G	
			33650-371-951	WINKER ASSY., L. RR.	1			ED, F, G	
			33650-371-981	WINKER ASSY., L. RR.	1			A, CM	
			33450-371-911	WINKER ASSY., L. FR.	1			U	
		17	33655-377-671	SOCKET COMP., L. WINKER	1	1	1	A, CM, DK, DM, U	
			33655-374-671	SOCKET COMP., L. RR, WINKER	1	1		E, ED, F, G	
			33660-371-601	SOCKET COMP., L. RR.			1	E, ED, F, G	
		18	34905-268-671	BULB, WINKER (12V23W)	2	2	2	A, CM, DK, DM, U	
			34908-634-611	BULB (12V21W)			2	E, ED, F, G	

1979.04.10

K8