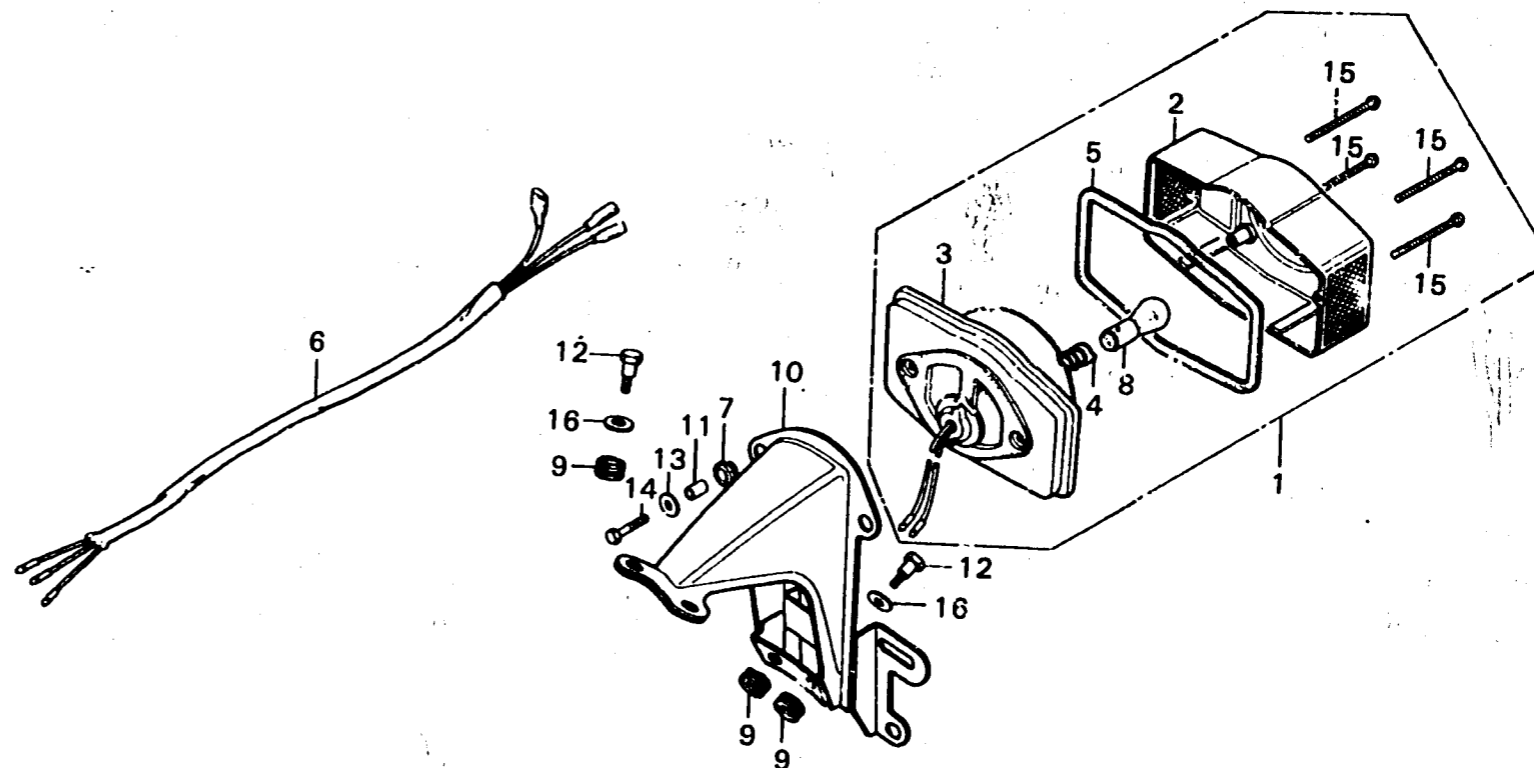


K 11

F-26

**Taillight
(A,CM,DK,DM,U)**



B371-41

Service item	F.R.T.	Ref. No.	Part No.	Description	Reqd. No.			Serial No.	Area code
					GL1000	GL1000	LTD K1 K2		
			31403-300-000	RUBBER, REGULATOR CUSHION		2		2017993	A,DK,DM,U CM
		8	34906-341-671	BULB, TAILLIGHT (12V32/3CP)	1	2	2		A,CM,DK,DM,U
		9	80101-383-000	RUBBER, RR. FENDER CUSHION	4	4	4		A,CM,DK,DM,U
		10	84701-341-670XW	BRACKET, NUMBER PLATE	1	1	1		A,CM,DK,DM,U
			84701-371-980	BRACKET, NUMBER PLATE		1			A,CM,U
		11	84706-341-000	COLLAR, NUMBER PLATE BRACKET	2				
			84706-378-000	COLLAR, TAILLIGHT UNIT		2		2017993	2017992 A,DK,DM,U A,DK,DM,U CM
		12	90162-292-000	BOLT, FR. FENDER SETTING		2	2		A,CM,DK,DM,U
			90162-371-980	BOLT, NUMBER PLATE BRACKET SET	4	4	4		A,CM,DK,DM,U
		13	90581-831-650	WASHER, 18MM	2	2	2		A,CM,U
			90581-371-980	WASHER, 18MM		2			A,CM,DK,DM,U
		14	92000-05020-0B	BOLT, HEX., 5X20	2				A,CM,U
			92000-05025-0A	BOLT, HEX., 5X25		2		2017993	2017992 A,DK,DM,U A,DK,DM,U CM
						2	2		A,DK,DM,U
			91500-371-980	BOLT, HEX., 5X25		2			A,CM,U
		15	93500-04055-4J	SCREW, PAN, 4X55	4	4	4		A,CM,DK,DM,U
			91520-371-980	SCREW, PAN, 4X55		4			A,CM,U
		16	94101-98200	WASHER, PLAIN, 8MM	4	4	4		A,CM,DK,DM,U
			90082-371-980	WASHER, PLAIN, 8MM		4			A,CM,U

1979.04.10

K11