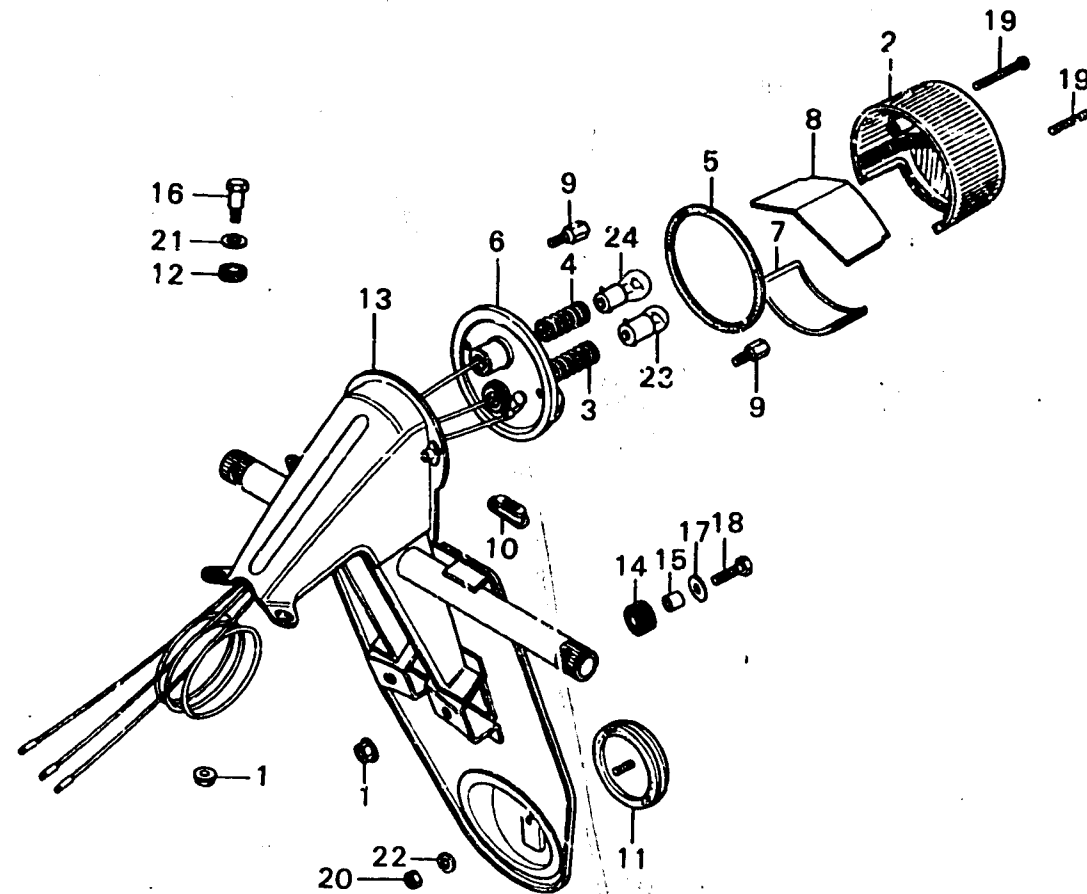


K 14

F-26-2

**Taillight
(LTD-K1-G)**



B371-41-2

Service item	F.R.T.	Ref. No.	Part No.	Description	Reqd. No.		Serial No.	Area code
					GL1000	GL1000 LTD K1 K2		
NUMBER PLATE BRACKET	0.5	1	16362-720-000	NUT, FLANGE, 6MM		4		G
TAIL LIGHT SOCKET	0.2	2	33701-051-000	LENS, TAIL & STOP LIGHT		1		G
TAIL & STOP LAMP LENS/BULB	0.1	3	33707-300-610	CORD COMP., TAILLIGHT		1		G
•REFLEX REFLECTOR		4	33708-300-610	CORD, STOP LIGHT		1		G
		5	33709-051-000	PACKING, TAILLIGHT LENS		1		G
		6	33710-300-610	SOCKET COMP., TAILLIGHT			1	G
			33710-371-960	SCCKET COMP., TAILLIGHT		1		G
		7	33715-051-000	LENS, LICENSE		1		G
		8	33716-051-000	PLATE, INTERCEPTION		1		G
		9	33717-292-610	BOLT, TAILLIGHT		2		G
		10	33722-323-610	GROMMET, RR, WINKER CORD		1		G
		11	33741-333-610	REFLECTOR, REFLEX			1	G
			33741-371-960	REFLECTOR, RR		1		G
		12	80101-283-000	RUBBER, RR, FENDER CUSHION		2		G
		13	84701-371-610ZA	BRACKET, NUMBER PLATE «NH-1»			1	G
			84701-371-960	BRACKET, NUMBER PLATE		1		G
		14	84903-118-000	RUBBER, NUMBER BRACKET CUSHION		2		G
		15	84906-118-000	COLLAR, NUMBER BRACKET		2		G
		16	90162-292-000	BOLT, FR, FENDER SETTING			2	G
			90162-371-980	BOLT, NUMBER PLATE BRACKET SET		2		G
		17	90545-323-700	WASHER, 6,5X18			2	G
			90545-371-960	WASHER, 6,5X18		2		G
		18	92000-06025	BOLT, HEX., 6X25			2	G
			91504-371-960	BOLT, HEX., 6X23		2		G
		19	93500-03045-0B	SCREW, PAN, 3X45			2	G
			91521-371-960	SCREW, PAN, 3X45		2		G
		20	94001-06000	NUT, HEX., 6MM		1		G

1979.04.10

K14