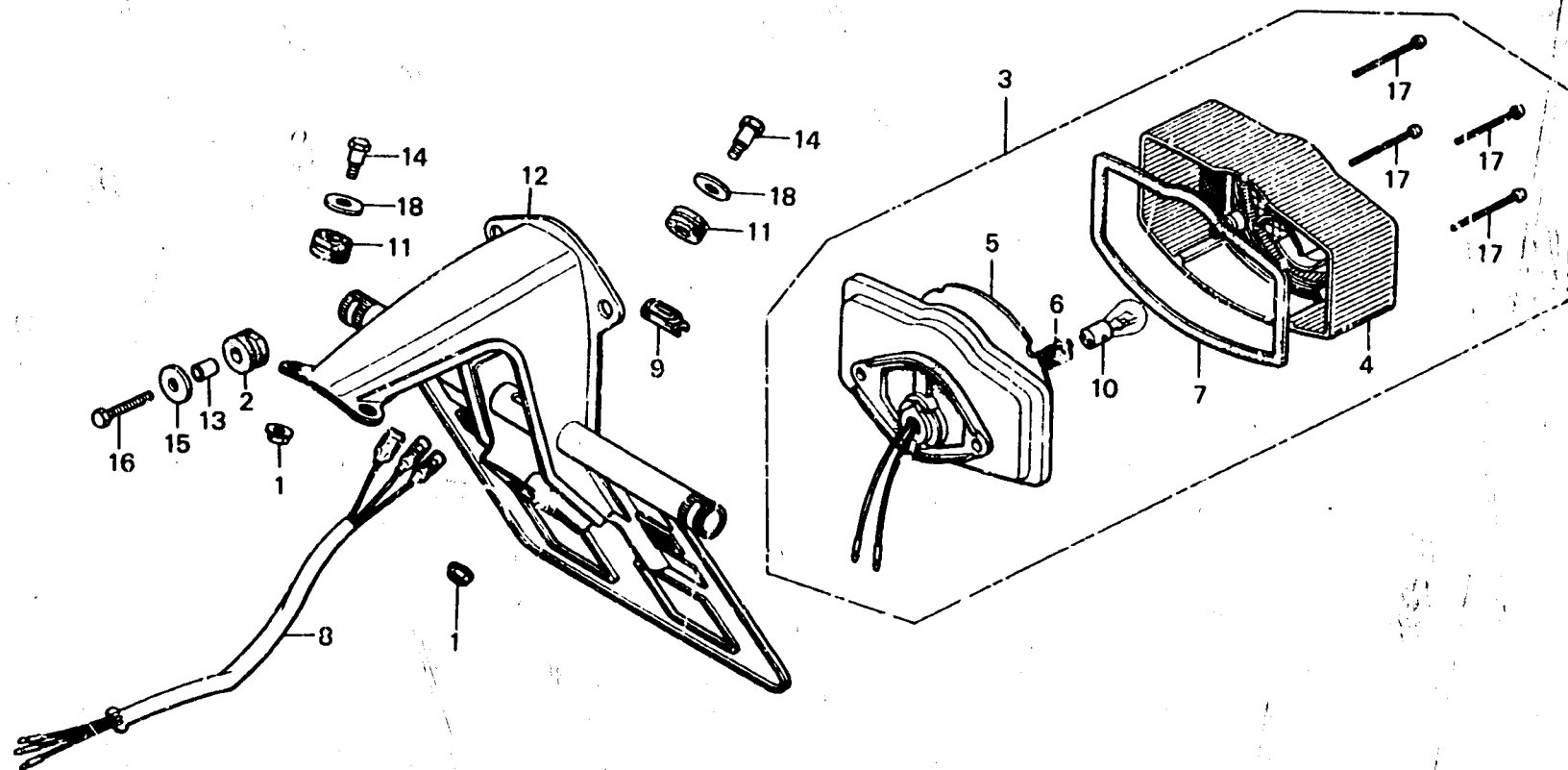


K 16

F-26-3

**Taillight
(K2-E,ED,F,G)**



B371-75

Service item	F.R.T.	Ref. No	Part No.	Description	Regd. No.		Serial No.	Area code
					GL1000	GL1000 LTDK1 K2		
NUMBER PLATE BRACKET	0.5	1	18362-720-000	NUT, FLANGE, 6MM		4		E,ED,F,G
TAILLIGHT UNIT/TAILLIGHT BASE and its related parts	0.2	2	31403-300-000	RUBBER, REGULATOR CUSHION		2		E,ED,F,G
		3	33701-371-602	TAILLIGHT UNIT		1		E,ED,F,G
• TAIL & STOP LIGHT CORD		4	33702-371-602	LENS, TAILLIGHT		1		E,ED,F,G
TAILLIGHT LENS/BULB	0.1	5	33703-371-601	BASE COMP., TAILLIGHT		1		E,ED,F,G
		6	33708-371-601	CORD COMP., TAILLIGHT		1		E,ED,F,G
		7	33709-341-671	PACKING, TAILLIGHT LENS		1		F,ED,F,G
		8	33711-371-600	CORD, TAIL & STOP LIGHT		1		E,ED,F,G
		9	33722-323-610	GROMMET, RR. WINKER CORD		1		E,ED,F,G
		10	34911-634-611	BULB (12V21/5W) (LOCAL PROCUREMENT PART)		1		E,ED,F,G
		11	80101-203-000	RUBBER, RR. FENDER CUSHION		4		E,ED,F,G
		12	84701-371-600ZA	BRACKET, NUMBER PLATE *NH-1*		1		E,ED,F,G
		13	84706-371-000	COLLAR, TAILLIGHT UNIT		2		E,ED,F,G
		14	90162-292-000	BOLT, FR. FENDER SETTING		4		E,ED,F,G
		15	90581-831-650	WASHER, 18MM		2		E,ED,F,G
		16	92000-05025-0A	BOLT, HEX., 5X25		2		E,ED,F,G
		17	93500-04095-0A	SCREW, PAN, 4X55		4		E,ED,F,G
		18	94101-08200	WASHER, PLAIN, 8MM		4		E,ED,F,G