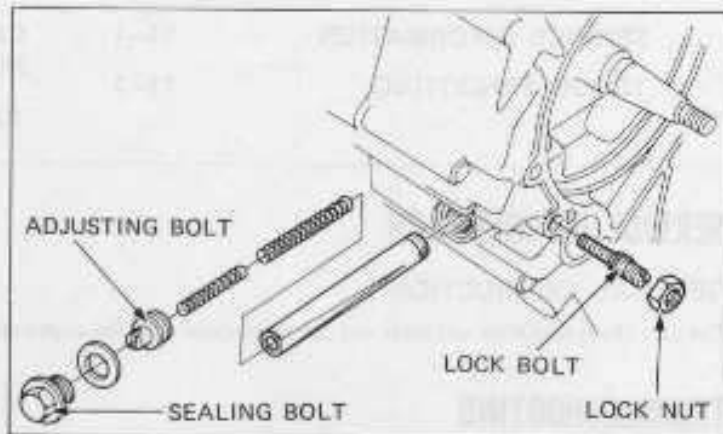


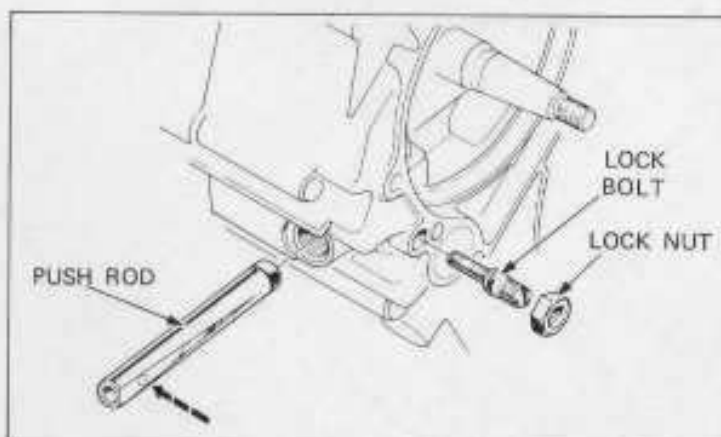


CAM CHAIN TENSIONER PUSH ROD

- Drain the engine oil.
- Loosen the lock nut and remove the lock bolt.
- Remove the sealing bolt and washer.
- Remove the adjusting bolt, springs and tensioner rod.
- Check the tensioner rod and spring for damage.



- Install the tensioner push rod with the taper facing lock bolt.



- Install the springs.
- Screw adjusting bolt into the crankcase.
- Install the sealing washer and bolt.

NOTE

The sealing bolt end must not contact the bottom of the adjusting bolt.

- Install lock bolt and lock nut.
- Tighten the lock nut.

