



SERVICE INFORMATION	16-1	STARTER RELAY	16-5
TROUBLESHOOTING	16-1	STARTER CLUTCH/DRIVE CHAIN	16-5
STARTER MOTOR	16-2		

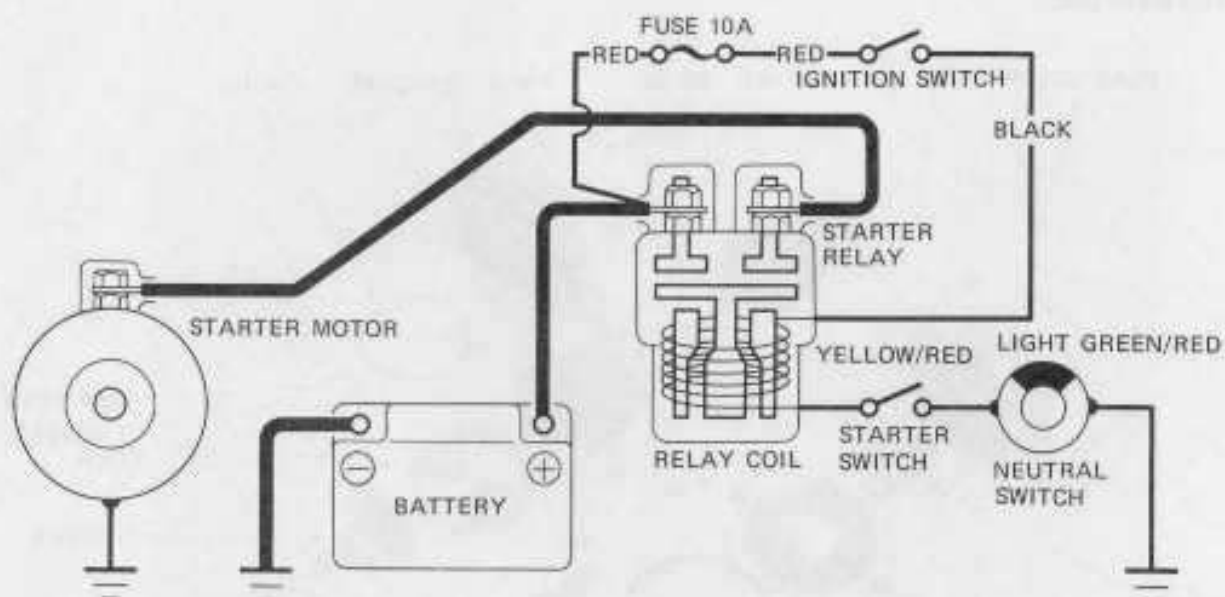
SERVICE INFORMATION

GENERAL INSTRUCTION

The starter motor can be removed with the engine in the frame.

SPECIFICATIONS

ITEM		Standard	Service Limit
Starter motor	Brush spring tension	400 g (14.1 oz)	300 g (10.6 oz)
	Brush length	12 mm (0.47 in)	4 mm (0.16 in)
Starter clutch driven sprocket O.D.		37.900 (1.4921 in)	36.76 mm (1.447 in)



TROUBLESHOOTING

Starter motor will not turn

1. Battery discharged
2. Main fuse burned out
4. Faulty starter relay
5. Faulty starter switch
6. Faulty neutral switch
7. Loose or disconnected wire or cable
8. Faulty starter motor

Starter motor turns engine slowly

1. Low battery specific gravity
2. Excessive resistance in circuit
3. Binding in starter motor

Starter motor turns, but engine does not turn

1. Faulty starter clutch
2. Faulty starter motor gears
3. Faulty starter chain and sprockets

Starter motor and engine turns, but engine does not start

1. Faulty ignition system