

3.9 OIL PUMP

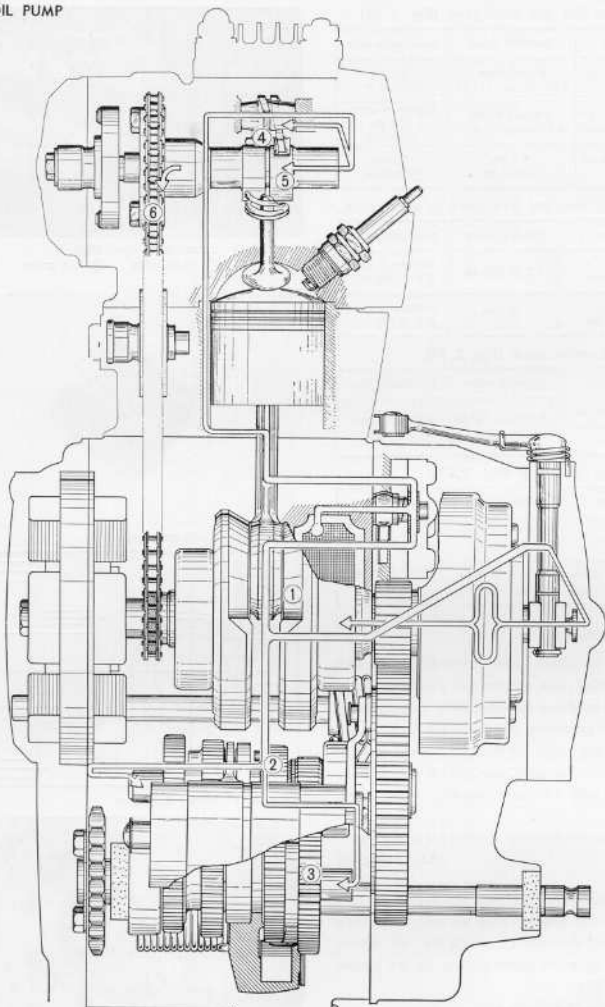


Fig. 3.73 Flow of lubricating oil

- | | | |
|--------------|--------------------------|-----------------------------|
| ① Crankshaft | ② Transmission mainshaft | ⑤ Transmission countershaft |
| ④ Rocker arm | ③ Camshaft | ⑥ Cam chain |