

- 4) Install the 20mm set ring.
- 5) Assemble the clutch spring and install with the 6mm mounting bolts.
Torque to **0.8–1.2kg-m (5.8–8.7 ft-lbs)**.

Note:

Do not forget to install the clutch lifter guide pin. (Fig. 70)

- 6) Assemble the oil filter rotor, and install the right crankcase cover in accordance with section 5.C.

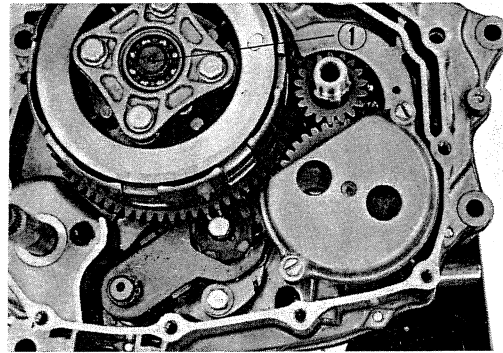


Fig. 70 ① Clutch lifter guide pin

7. GEAR SHIFT MECHANISM

The gear shift mechanism consists of gear shift plate, gear shift drum, three gear shift forks, gear shift cam and the gear shift drum stopper bar. When the gear shift pedal is depressed, the gear shift cam drum rotates to perform the gear shifting. Also, a feature is incorporated into the system to prevent gear jumping during shifting.

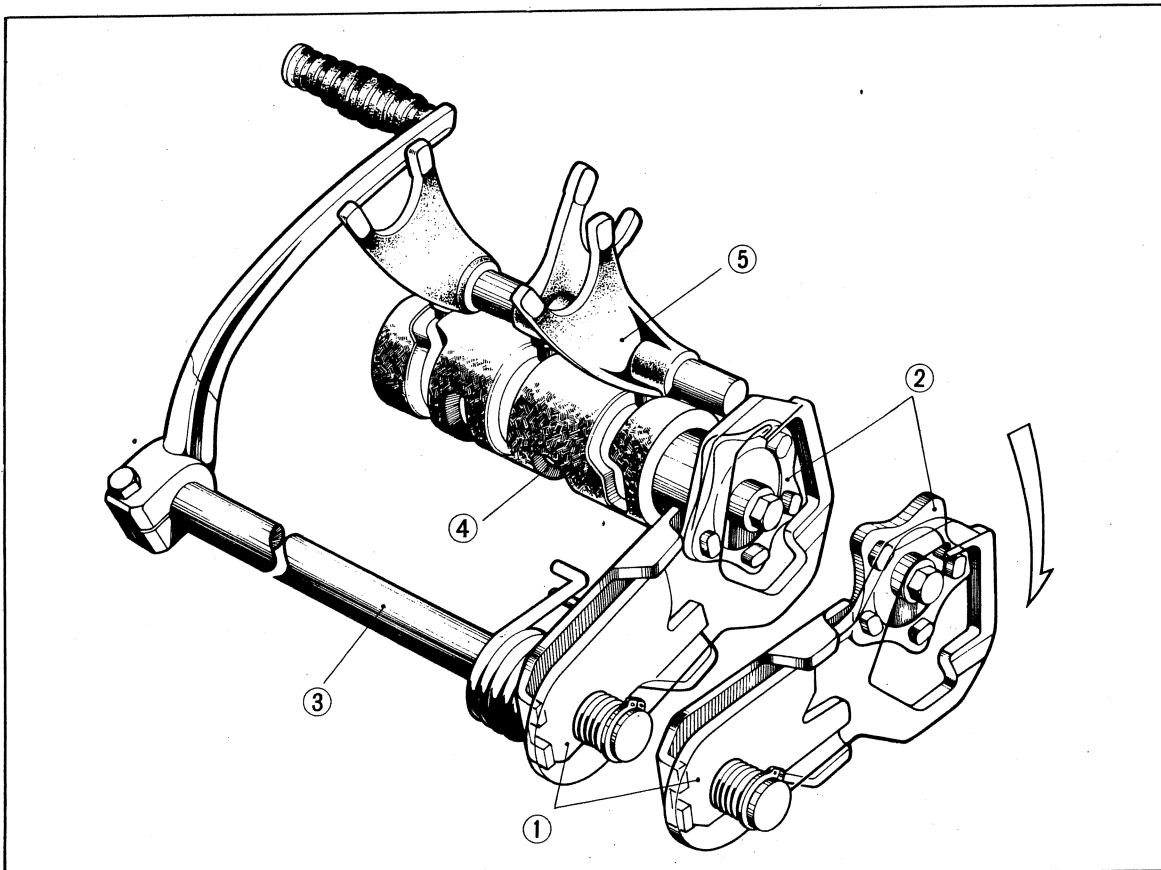


Fig. 71 ① Gear shift plate ② Gear shift cam ③ Gear shift spindle ④ Gear shift drum ⑤ Gear shift fork