

## ● ENGINE

### 1. CLUTCH

In the clutch assembly of TL125, four friction discs and four clutch plates are incorporated, each one plate less than those of CB/CL/SL100 and CB/CL/SL 125 S models. The following shows an exploded view of the clutch so that the relative positions of the parts can be seen. (Fig. 30)

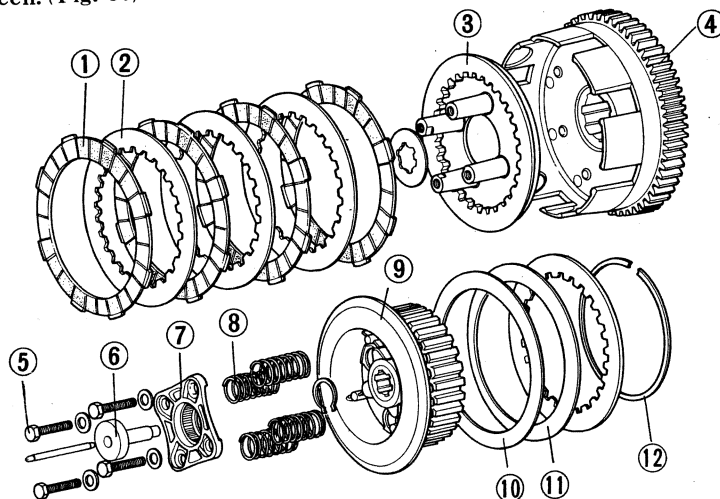


Fig. 30 ① Friction disc ② Clutch plate ③ Clutch pressure plate ④ Clutch outer ⑤ Clutch lifter rod  
⑥ Clutch lifter guide pin ⑦ Clutch lifter plate ⑧ Clutch spring ⑨ Clutch center ⑩ Disc spring seat  
⑪ Clutch spring disc ⑫ Set ring (82.5mm)

#### Removal

- 1) Remove the kick pedal and right crankcase cover in the order in (Fig. 3).
- 2) Disengage the clutch wire end at the crankcase cover.
- 3) Remove the split pin; take out the clutch lifter cam, clutch spring and clutch lever.  
(Fig. 31)

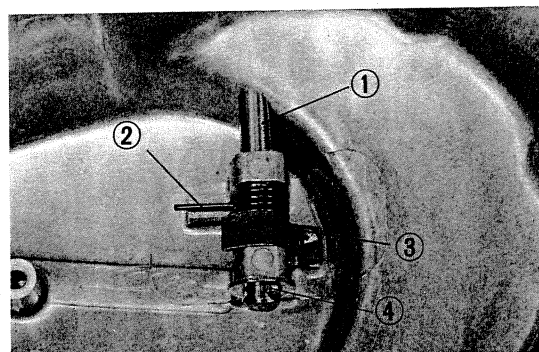


Fig. 31 ① Clutch lever ② Clutch spring  
③ Clutch lifter cam ④ Split pin

- 4) Remove the clutch lifter rod. Follow the items listed on page 25.  
Reverse the order of the removal to install the clutch lever.

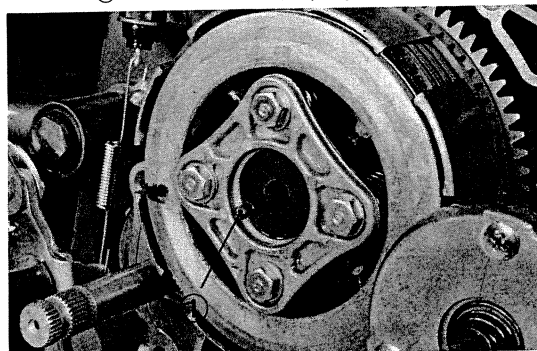


Fig. 32 ① Clutch lifter rod