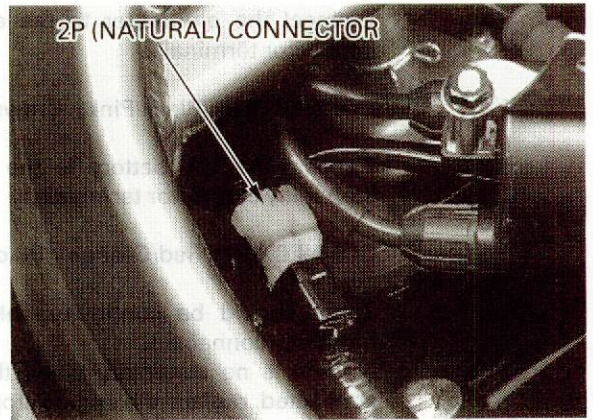


## PAIR SOLENOID VALVE

### REMOVAL/INSTALLATION

Remove the air cleaner housing (page 5-60).

Disconnect the PAIR solenoid valve 2P (Natural) connector.



Disconnect the PAIR air suction hoses and remove the PAIR solenoid valve.

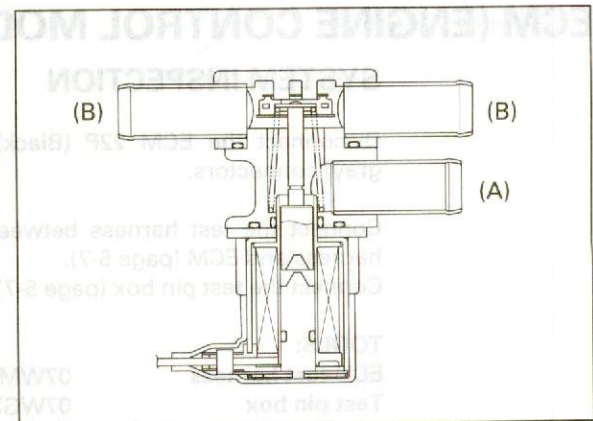
Installation is in the reverse order of removal.



### INSPECTION

Remove the PAIR solenoid valve.

Check that the air should not flow (A) to (B), only when the 12V battery is connected to the PAIR solenoid valve terminals.



Check the resistance between the terminals of the PAIR solenoid valve.

**STANDARD:** 20—24  $\Omega$  (20 °C/68 °F)

If the resistance is out of specification, replace the PAIR solenoid valve.

