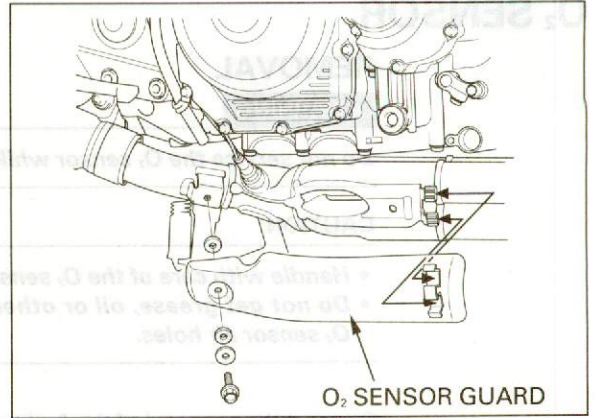
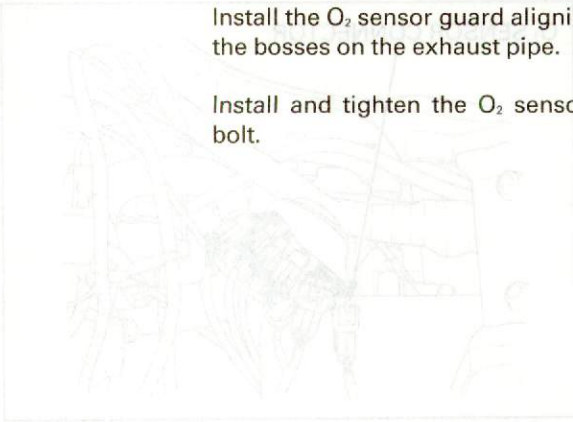


FUEL SYSTEM (Programmed Fuel Injection)

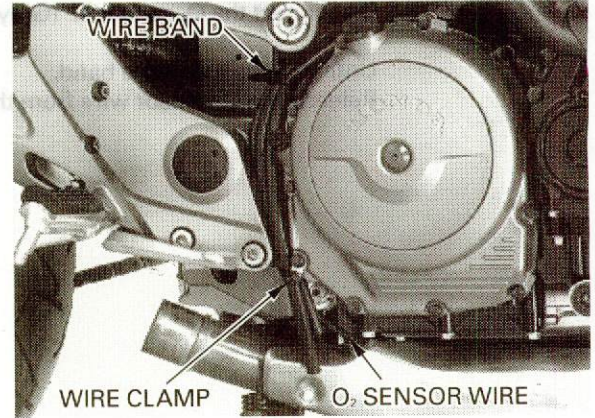
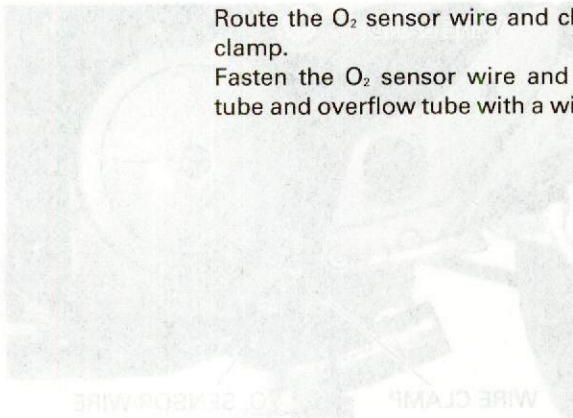
Install the O₂ sensor guard aligning its grooves with the bosses on the exhaust pipe.

Install and tighten the O₂ sensor guard mounting bolt.

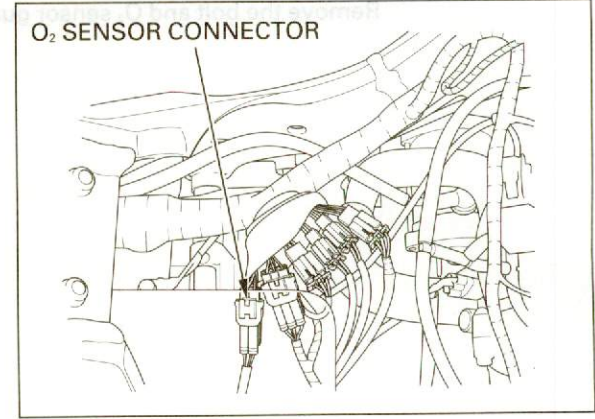
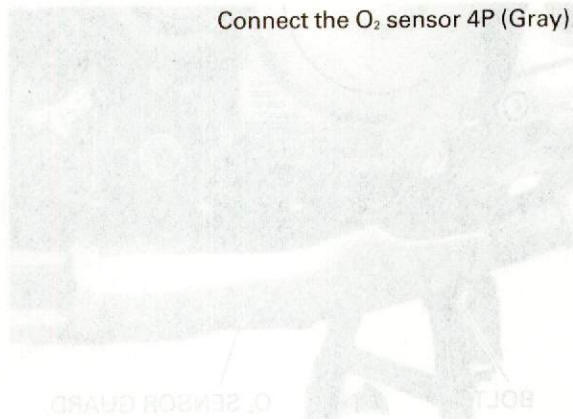


Route the O₂ sensor wire and clamp it with a wire clamp.

Fasten the O₂ sensor wire and fuel tank breather tube and overflow tube with a wire band.



Connect the O₂ sensor 4P (Gray) connector.



Remove the O₂ sensor unit.

CAUTION

- Be careful not to damage the sensor wire.
- Do not use impact wrench while removing or installing the O₂ sensor.

Install the O₂ sensor unit.

Tighten the unit to the specified torque.

TORQUE: 25 N·m (2.5 kgf·m, 18 lbf·ft)