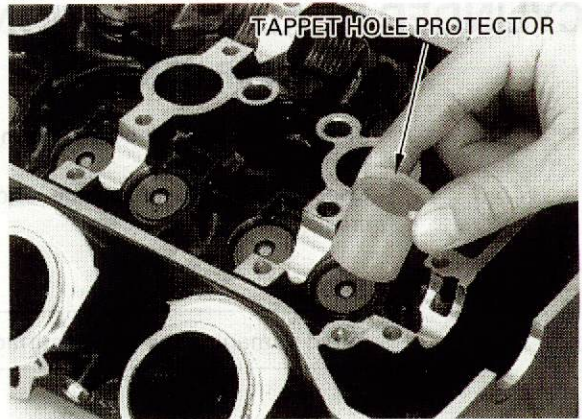


## CYLINDER HEAD DISASSEMBLY

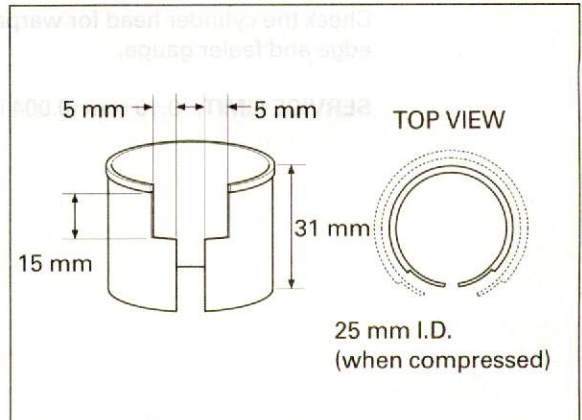
Remove the spark plugs from the cylinder head.

Install the tappet hole protector into the valve lifter bore.

**TOOL:**  
**Tappet hole protector**      07HMG-MR70002



An equivalent tool can easily be made from a plastic 35 mm film container as shown.

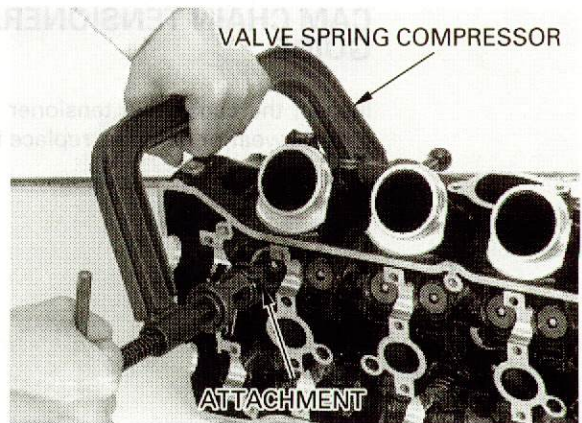


Remove the valve spring cotters using the special tools as shown.

**TOOLS:**  
**Valve spring compressor**      07757-0010000  
**Valve spring compressor attachment**      07959-KM30101

**CAUTION:**

*To prevent loss of tension, do not compress the valve springs more than necessary to remove the cotters.*



Remove the following:

- Spring retainer
- Outer and inner valve springs
- Valve
- Stem seal
- Inner and outer valve spring seats

**NOTE:**

Mark all parts during disassembly so they can be placed back in their original locations.

