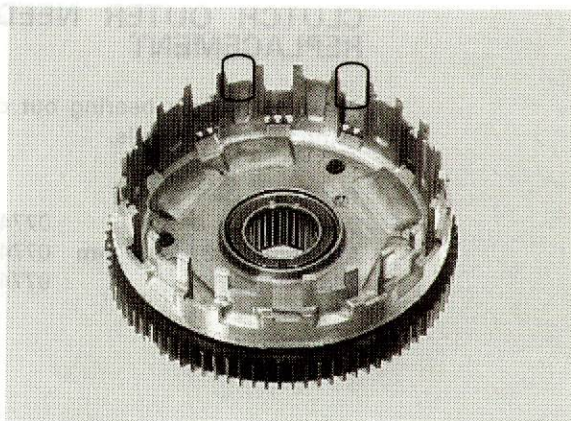


Clutch outer/clutch outer guide

Check the slots of the clutch outer for damage or wear caused by the clutch discs. Replace if necessary.

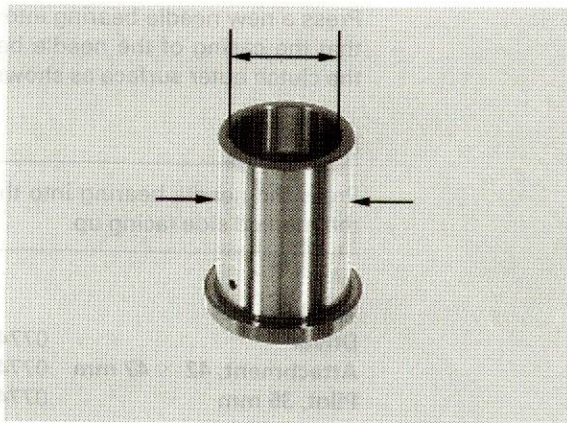


Measure the O.D. and I.D. of the clutch outer guide.

SERVICE LIMITS:

O.D.: 34.965 mm (1.3766 in)

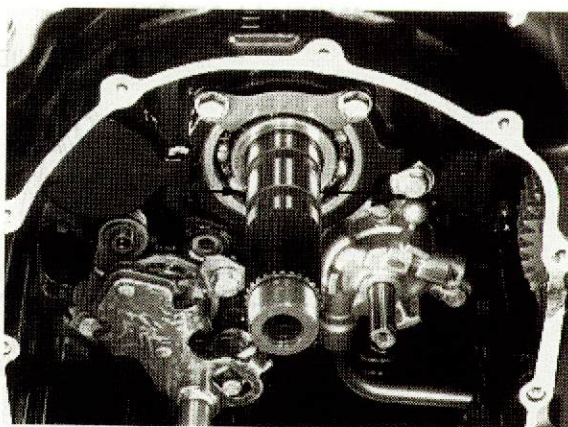
I.D.: 28.031 mm (1.1036 in)



Mainshaft

Measure the mainshaft O.D. at clutch outer guide sliding surface.

SERVICE LIMIT: 27.970 mm (1.1012 in)



Clutch lifter rod

Check the clutch lifter rod for wear and trueness.

