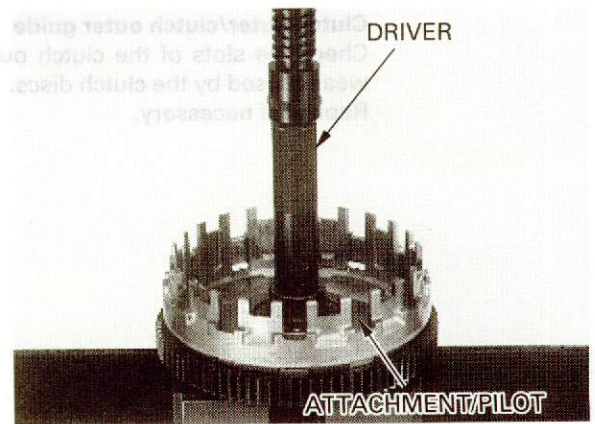


CLUTCH/GEARSHIFT LINKAGE

CLUTCH OUTER NEEDLE BEARING REPLACEMENT

Press the needle bearing out of the clutch outer using the special tools.

- TOOLS:**
- Driver 07749-0010000
 - Attachment, 37 × 40 mm 07746-0010200
 - Pilot, 35 mm 07746-0040800

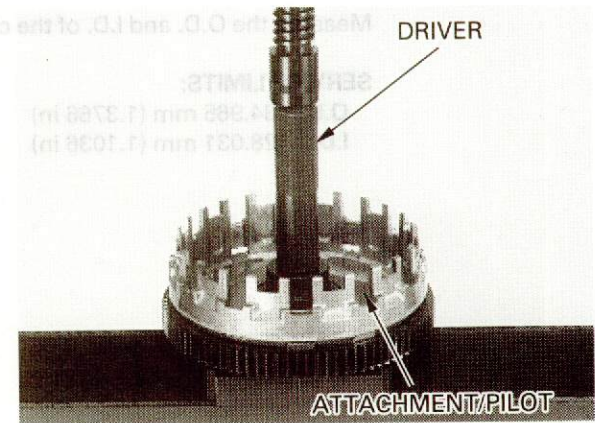


Press a new needle bearing into the clutch outer so that the casing of the needle bearing is flush with the clutch outer surface as shown.

NOTE:

Press the needle bearing into the clutch outer with the marked side facing up.

- TOOLS:**
- Driver 07749-0010000
 - Attachment, 42 × 47 mm 07746-0010300
 - Pilot, 35 mm 07746-0040800



INSTALLATION

