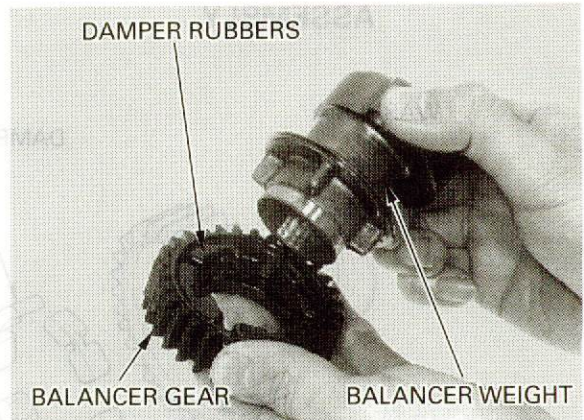


Remove the balancer gear and damper rubbers from the balancer weight.



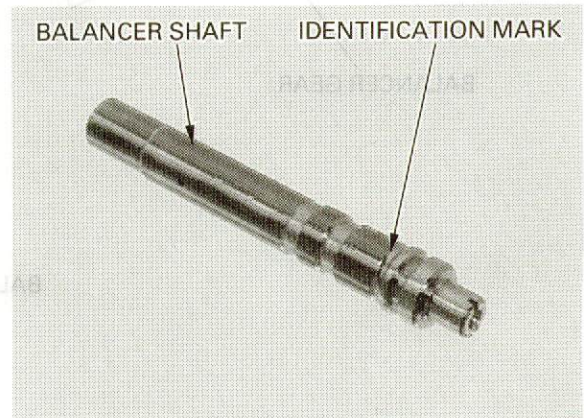
INSPECTION

NOTE:

Replace the balancer weight, shaft and needle bearings as an assembly.

Check the needle bearing sliding surfaces of the balancer weight for wear, damage or excessive scratches.

Check the needle bearing sliding surfaces of the balancer shaft for wear, damage or excessive scratches.



BALANCER BEARING SELECTION

NOTE:

The balancer weight, shaft and needle bearings are select fitted (selection table; see below).

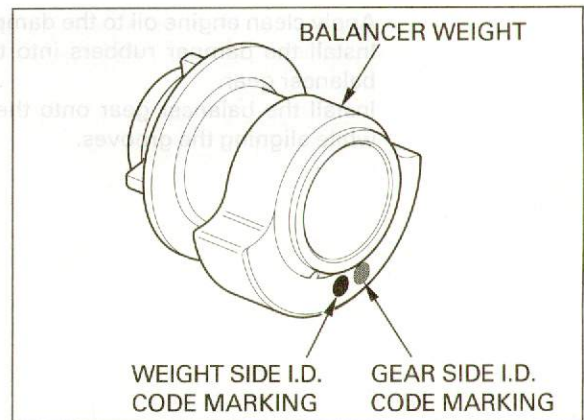
The balancer shaft has a I.D. code number or color.

The balancer weight has two I.D. code markings as shown.

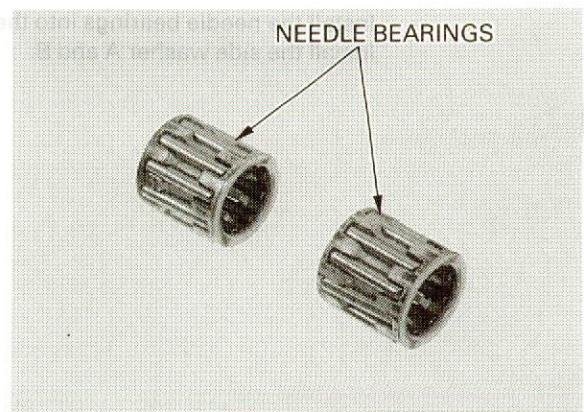
The markings are identified each I.D. of the balancer weight as shown.

Cross-reference the balancer shaft and balancer weight codes determine the replacement bearing color.

Refer to the selection table below for bearing selection.



Check the needle bearing for smooth operation.



BALANCER BEARING SELECTION TABLE:

Unit: mm (in)

BALANCER SHAFT O.D. CODE		1 or Blue 17.996 - 18.000 (0.7085 - 0.7087)	2 or Black 17.991 - 17.996 (0.7083 - 0.7085)	3 or Red 17.987 - 17.991 (0.7081 - 0.7283)
BALANCER WEIGHT I.D. CODE				
A	26.996 - 27.000 (1.0628 - 1.0630)	C White	B Blue	A Red
B	26.991 - 26.996 (1.0626 - 1.0628)	D Green	C White	B Blue
C	26.987 - 26.991 (1.0625 - 1.0626)	E Yellow	D Green	C White