

LEFT HANDLEBAR INSTALLATION

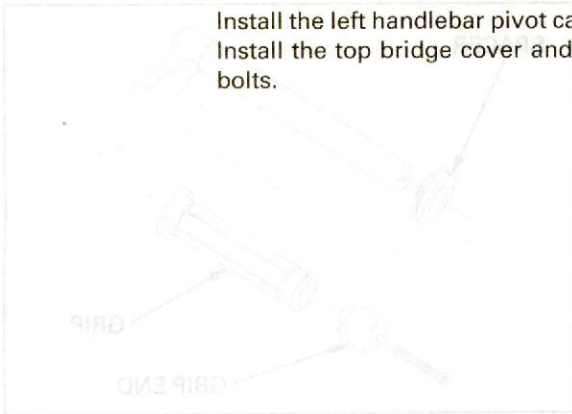
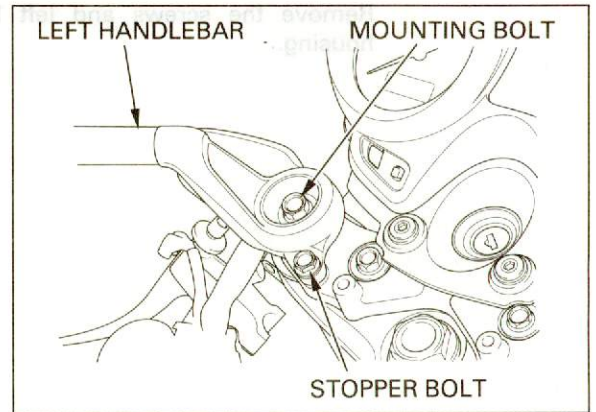
Install the left handlebar onto the top bridge, then install the handlebar mounting bolt and stopper bolt.

Pull the handlebar backward fully, then loosely tighten the left handlebar mounting bolt.

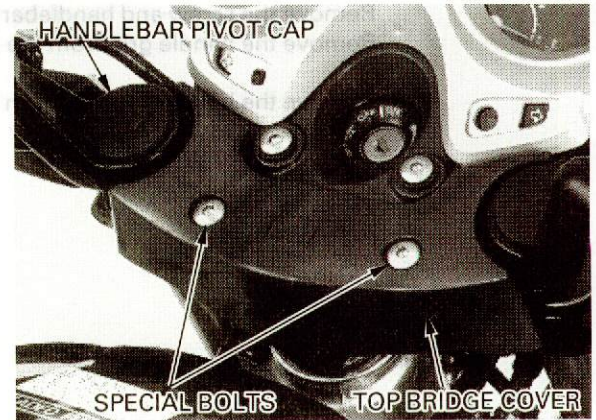
Tighten the left handlebar stopper bolt to the specified torque.

TORQUE: 25 N·m (2.6 kgf·m , 19 lbf·ft)

Tighten the left handlebar mounting bolt securely.



Install the left handlebar pivot cap. Install the top bridge cover and tighten the special bolts.

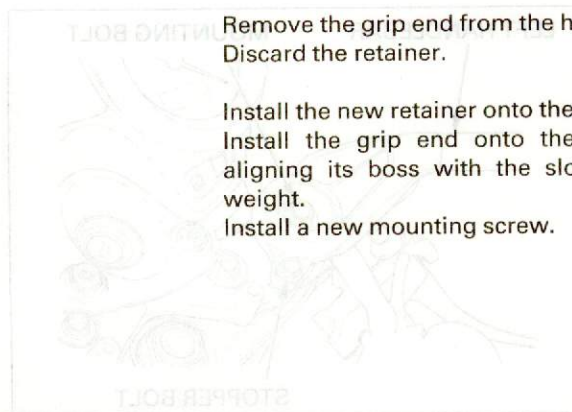
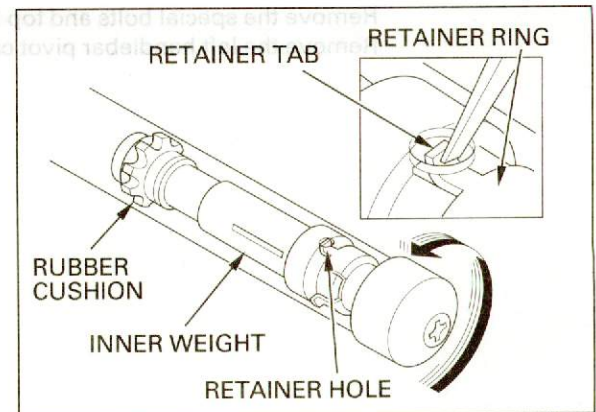


HANDLEBAR WEIGHT REPLACEMENT

Remove the grip from the handlebar. Straighten the weight retainer tab by the screwdriver or punch.

Temporarily install the grip end and screw, then remove the handlebar weight by turning the grip end.

Apply lubricant spray through the tab locking hole to the rubber for easy removal.



Remove the grip end from the handlebar weight. Discard the retainer.

Install the new retainer onto the handlebar weight. Install the grip end onto the handlebar weight aligning its boss with the slot in the handlebar weight. Install a new mounting screw.

