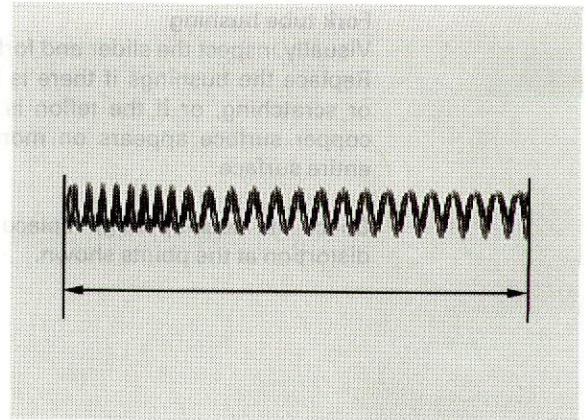


**INSPECTION**

**Fork spring**

Measure the fork spring free length.

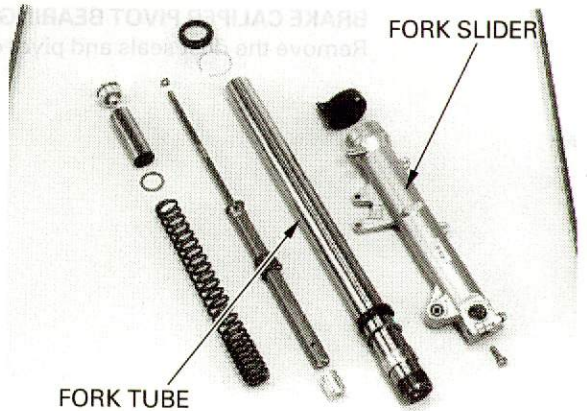
**SERVICE LIMIT:** 314.1 mm (12.37 in)



**Fork tube/slider/damper**

Check the fork tube and fork slider for score marks, scratches, or excessive or abnormal wear.

Replace any components which are worn or damaged.



**Fork damper**

Check the fork damper for damage.

Check the rebound spring for fatigue or damage.

Replace the fork damper assembly, if any component are damaged.



Place the fork tube in V-block and measure the runout.

Actual runout is 1/2 the total indicator reading.

**SERVICE LIMIT:** 0.20 mm (0.008 in)

