

## REAR WHEEL/SUSPENSION

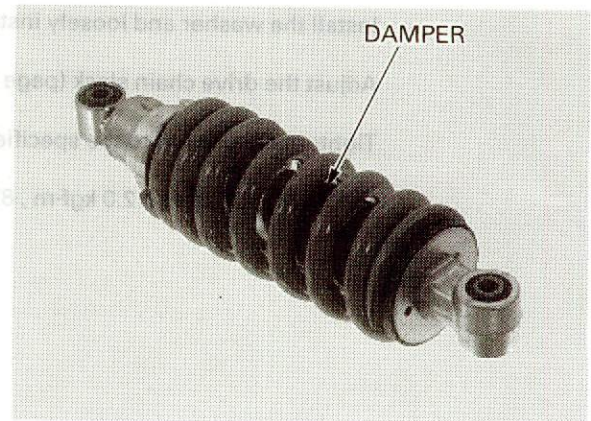
### INSPECTION

Visually inspect the shock absorber for damage.

Check for the:

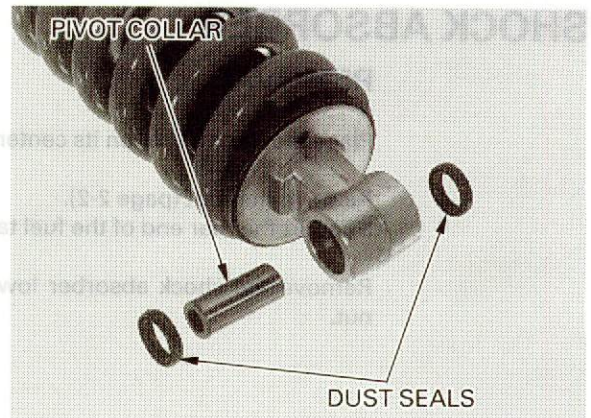
- Damper rod for bend or damage
- Damper unit for deformation or oil leaks
- Bump rubber for wear or damage

Inspect all the other parts for wear or damage.  
If necessary, replace the shock absorber as an assembly.



### NEEDLE BEARING REPLACEMENT

Remove the pivot collar and dust seals.



Press out the needle bearing out of the shock absorber lower mount using the special tools.

#### TOOLS:

- |                                 |               |
|---------------------------------|---------------|
| <b>Driver attachment handle</b> | 07949-3710001 |
| <b>Attachment, 22 × 24 mm</b>   | 07746-0010800 |
| <b>Pilot, 17 mm</b>             | 07746-0040400 |

Press a new needle bearing into the lower mount so that the needle bearing surface is lower 8.0 mm (0.31 in) from the end of the lower mount using the same tools.

#### NOTE:

Press the needle bearing into the lower mount with the marked side facing out.

Apply grease to the new dust seal lips, install them into the lower mount.  
Install the pivot collar.

