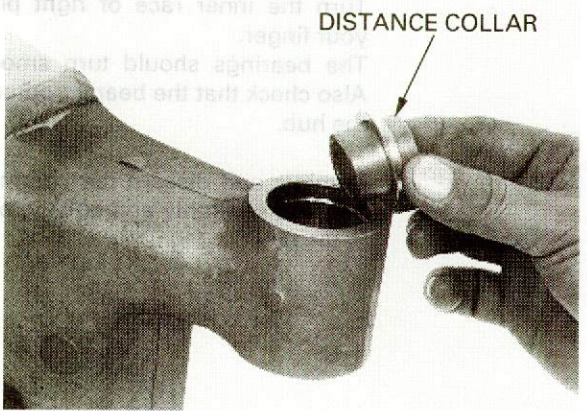
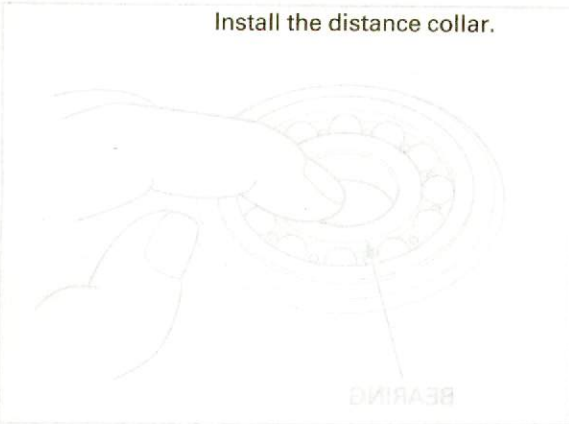
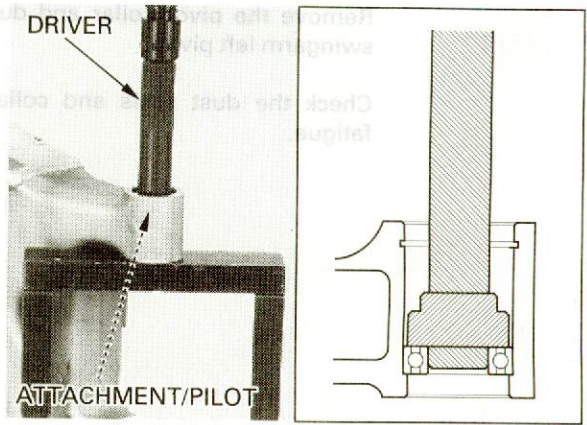


# REAR WHEEL/SUSPENSION

Press the inner bearing into the swingarm right pivot until it seats using the special tools.

**TOOLS:**

- |                               |               |
|-------------------------------|---------------|
| <b>Driver</b>                 | 07749-0010000 |
| <b>Attachment, 32 × 35 mm</b> | 07746-0010100 |
| <b>Pilot, 20 mm</b>           | 07746-0040500 |



Install the outer bearing using the special tools.

**TOOLS:**

- |                               |               |
|-------------------------------|---------------|
| <b>Driver</b>                 | 07749-0010000 |
| <b>Attachment, 32 × 35 mm</b> | 07746-0010100 |
| <b>Pilot, 20 mm</b>           | 07746-0040500 |

