

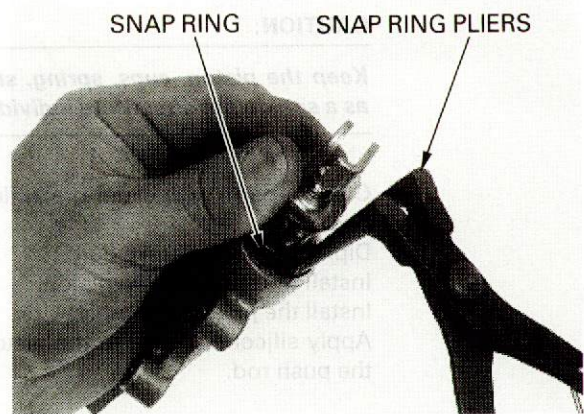
Remove the boot.  
Remove the snap ring from the master cylinder body using the special tool as shown.

**TOOL:**

**Snap ring pliers** 07914-SA50001 or 07914-3230001

Remove the push rod, master piston and spring.

Clean the inside of the cylinder with brake fluid.



## INSPECTION

Check the piston boot, primary cup and secondary cup for fatigue or damage.

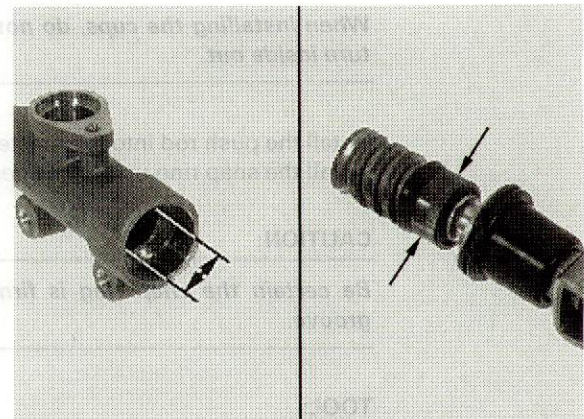
Check the master cylinder and piston for abnormal scratches.

Measure the master cylinder I.D.

**SERVICE LIMIT:** 17.515 mm (0.6896 in)

Measure the master cylinder piston O.D.

**SERVICE LIMIT:** 17.405 mm (0.6852 in)



## ASSEMBLY

