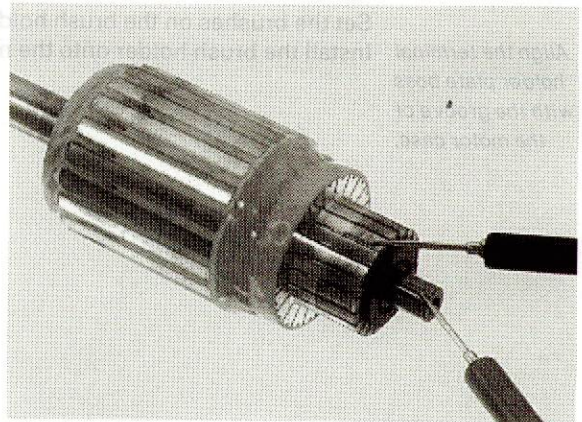
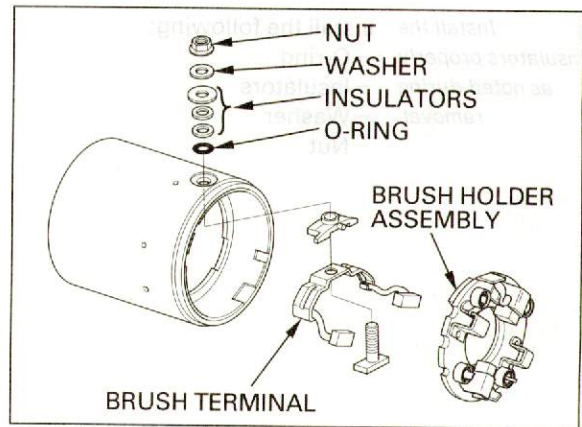


Also, check for continuity between individual commutator bars and the armature shaft; there should be no continuity.



Remove the following:

- Nut
- Washer
- Insulators
- O-ring
- Brush holder assembly
- Brush/terminal



ASSEMBLY

