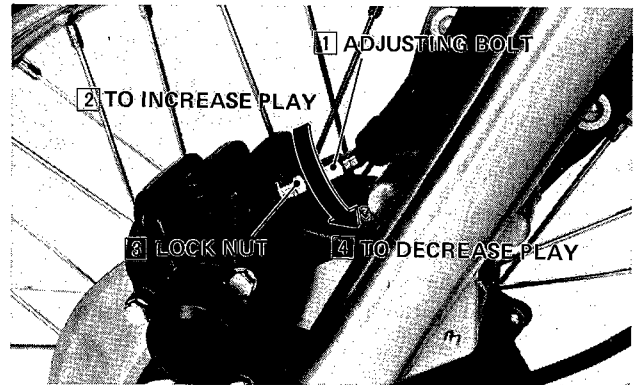
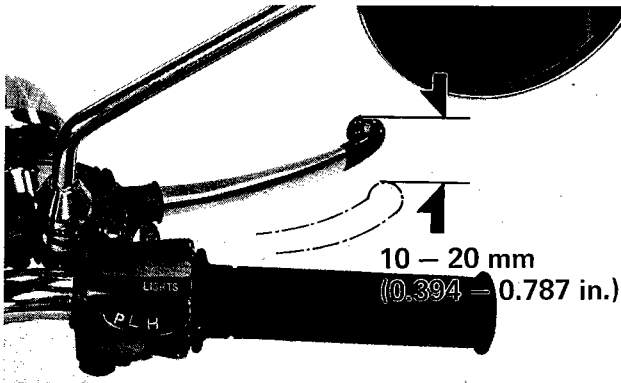
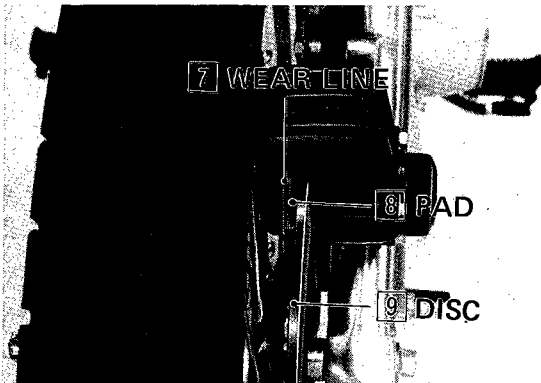


- BRAKE ADJUSTMENT
- FRONT BRAKE LEVER FREE PLAY



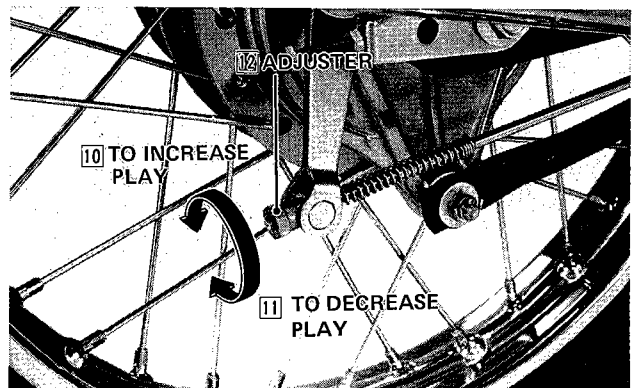
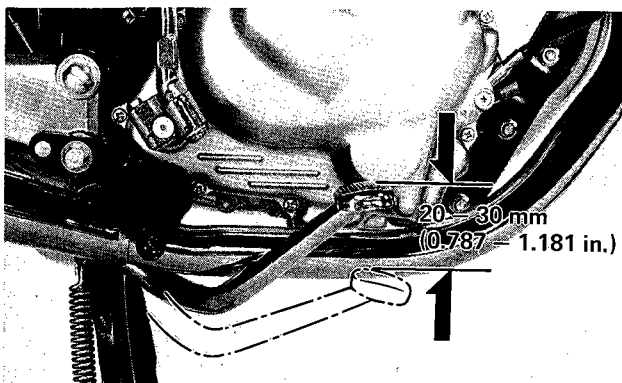
- 5 • Adjust the front brake lever free play if it does not fall within the specified limits.

- BRAKE DISC PAD CHECK



- 6 • Replace the pads if they wear to the red line. Page 228.
 • Check the brake disc for damage or any other defects.
 • Replace the disc if it is worn excessively so that the thickness falls below 4 mm. Page 192.

- REAR BRAKE PEDAL FREE PLAY



- 13 • To adjust, turn the rear brake adjusting nut in or out until the correct free play is attained.