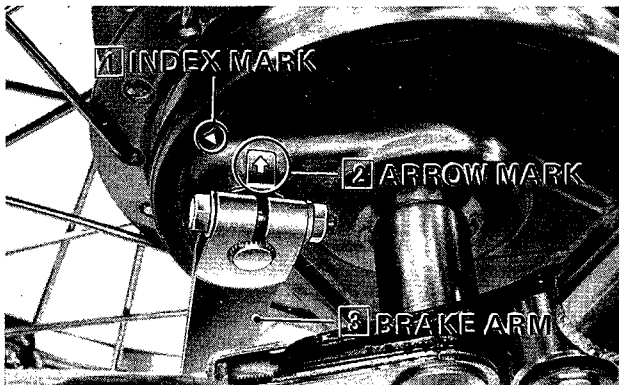


• BRAKE SHOE INSPECTION



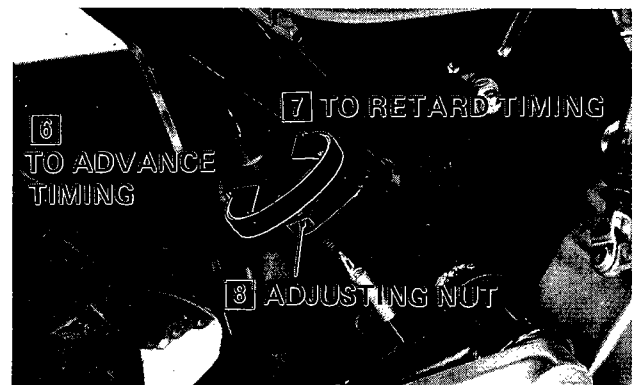
4

- If the arrow aligns with the reference mark on full application of the rear brake, replace the brake shoes. Check the brake drum and replace if worn excessively.

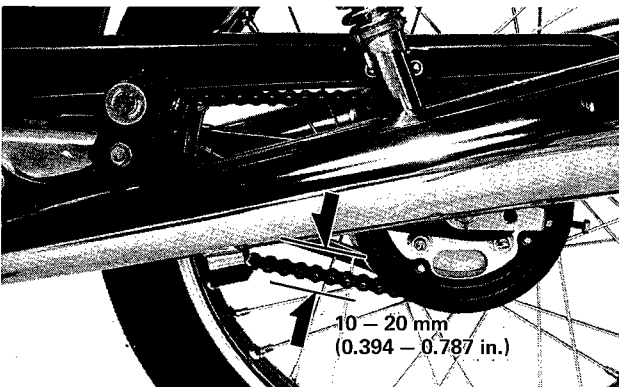
• REAR STOPLIGHT SWITCH ADJUSTMENT

5

- The rear stoplight switch should be adjusted after the rear brake has been adjusted.
- Adjust the stoplight switch so that the stoplight will come on when the brake pedal is pressed to the point where the brake just starts to take hold. Adjustment is made with the stoplight switch adjusting nut.



• DRIVE CHAIN ADJUSTMENT



16

- Adjust the drive chain to the proper tension as follows.
 - (1) Remove the cotter pin and loosen the rear axle nut.
 - (2) Loosen the lock nut on both the right and left chain adjusting bolts and turn the bolts until the slack is 10 - 20 mm.
 - (3) Make sure that the index mark on both clutch adjusters align with the same position on the both scales of the rear fork. Retighten the axle nut and install the cotter pin.
 - (4) Tighten the lock nuts.

NOTE

Be certain that the index mark aligns with the same position on the both side scales. Do not forget to install the cotter pin.



- (5) Hand turn the rear wheel to see if the chain is rotated freely on the driven sprocket without binding.