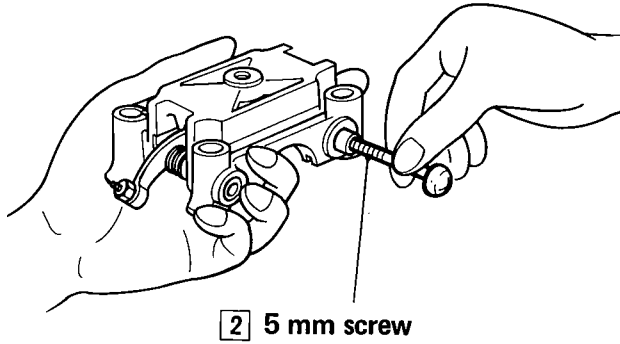


a. DISASSEMBLY AND ASSEMBLY

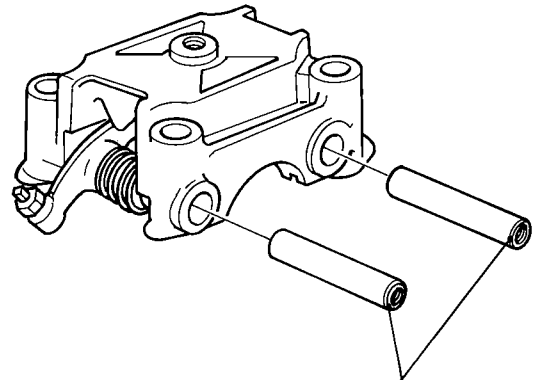
● ROCKER ARM SHAFT

4 ASSEMBLY

1 DISASSEMBLY



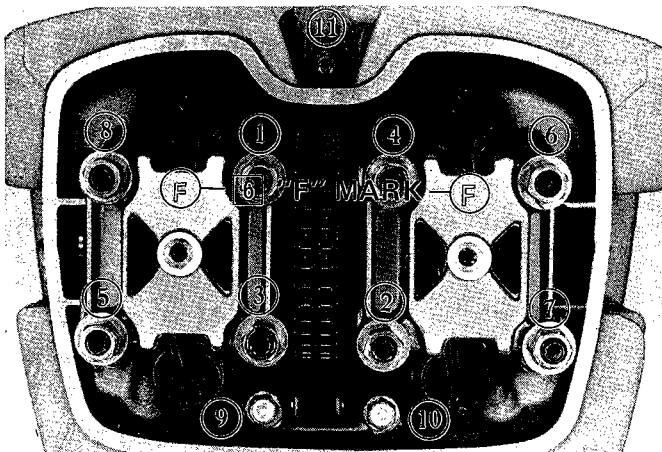
- 3
- Place all the removed parts in order in a parts rack so that they can be placed back to their original location or parts with which they were mated.



- 5 **NOTE**
Install each shaft with the threaded end outside.

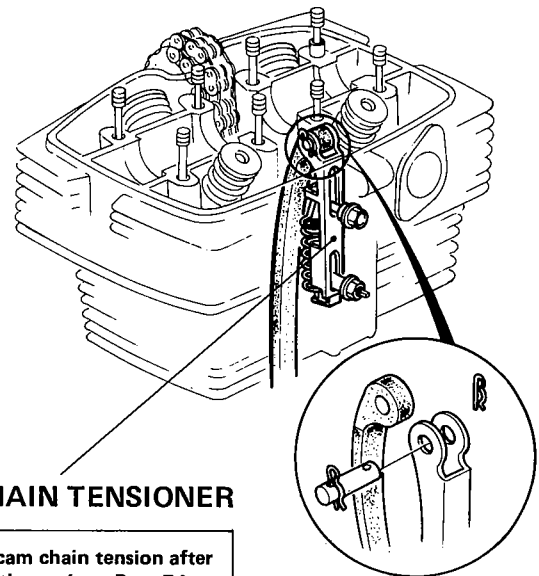
● TENSIONER ARM INSTALLATION

● CAMSHAFT HOLDER TIGHTENING SEQUENCE



- 7
- Install each holder with the "F" mark on the EXHAUST VALVE side. Tighten bolts in two or more steps and in sequence as shown.
 - To disassemble, reverse the above sequence.

1.6 - 2.0 kg-m
(11.57 - 14.46 lbs-ft.)



- 8 **CAM CHAIN TENSIONER NOTE**
Adjust the cam chain tension after assembling the engine. Page 74.

- 9 **NOTE**
Install the lock pins as illustrated.