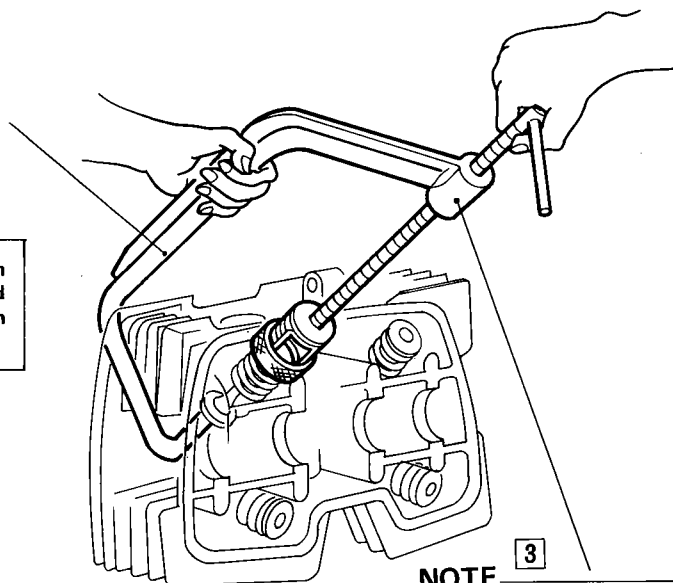


## • VALVE GUIDE DISASSEMBLY AND ASSEMBLY

**1** VALVE COMPRESSOR  
No. 07957-3290001

**2**  
**NOTE**

Place all the removed parts in order in a part rack so that they can be placed back to their original locations from which they were removed.



**3**  
**NOTE**

Compress the spring just enough to install the valve cotters.

**4**

**CAUTION**

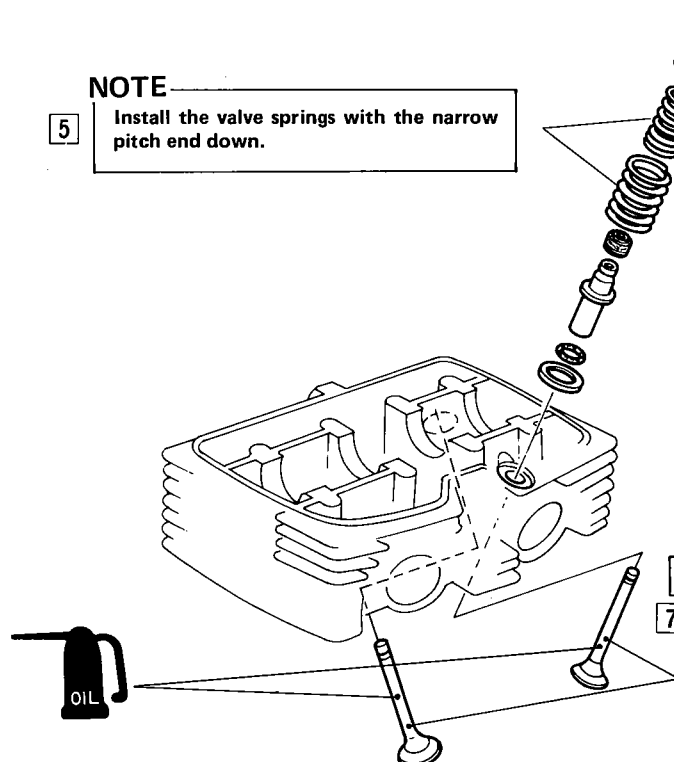
- Dip all the disassembled parts in clean oil before they can be installed.

**NOTE**

**5** Install the valve springs with the narrow pitch end down.

**6**

Give light hammer blows to the stem end of each valve to seat the valve cotters properly. Use a soft hammer.



**7**  
**CAUTION**

- After putting a new valve, contact between the valve face and seat must be checked and correction made.
- Lubricate the valve stems and insert them in the valve guides. After making sure the valves move up and down freely in the guides, install the valve springs.