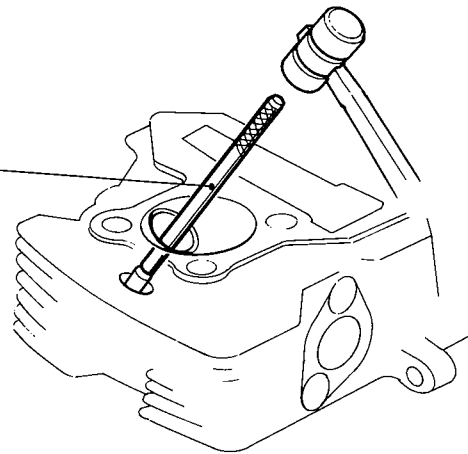


## • VALVE GUIDE REMOVAL

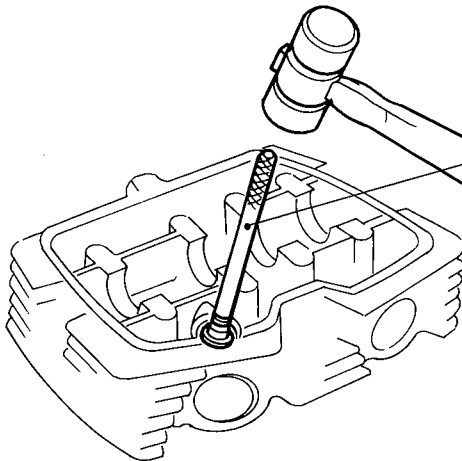
**1** VALVE GUIDE REMOVER  
No. 07942-3290100

**2** NOTE

- Use extreme caution while driving out the guide to avoid damaging the gasket surface of the cylinder head.



## • DRIVING VALVE GUIDE



**3** VALVE GUIDE DRIVER  
No. 07942-3290200

**4** NOTE

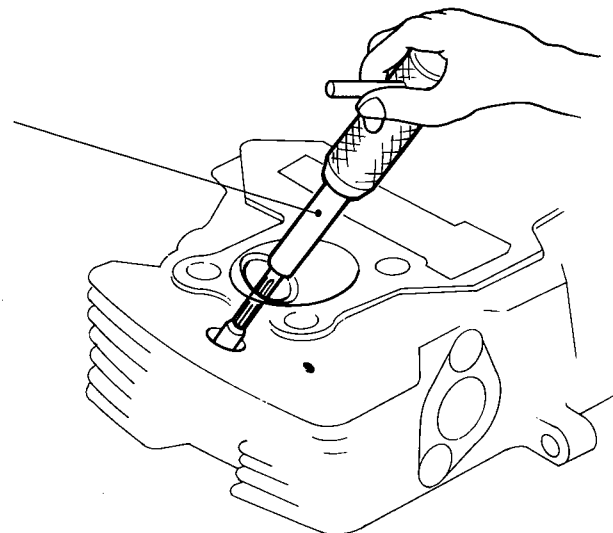
- After the guide has been installed to the proper depth, check to make sure that it is not damaged and in good condition.
- Then, it must be reamed to size with a valve guide reamer.

## • REAMING VALVE GUIDE

**5** VALVE GUIDE REAMER  
No. 07984-0980000

**6** CAUTION

- Rotate the reamer only in clockwise direction.
- Be sure to rotate the reamer in that direction when inserting and removing.
- Wipe off any chips with cleaning solvent.



**7**

Standard (IN/EX) 5.475 - 5.485 mm (0.2156 - 0.2159 in.)