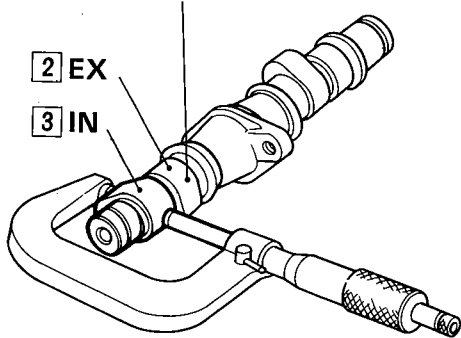


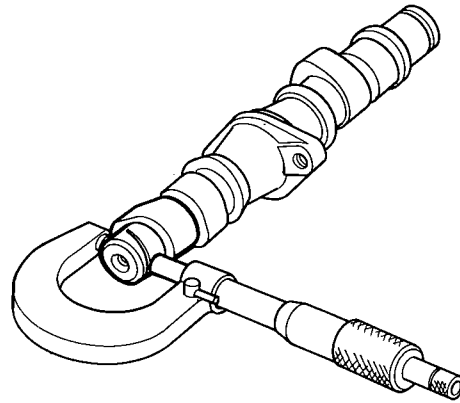
● CAM HEIGHT

1 WEAR OR DAMAGE



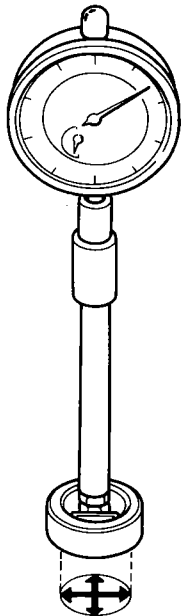
	Standard	Service Limit
IN	28.094 mm (1.1061 in.)	27.00 mm (Replace) (1.063 in.)
EX	27.675 mm (1.0896 in.)	26.5 mm (Replace) (1.0433 in.)

● CAMSHAFT JOURNAL O.D.



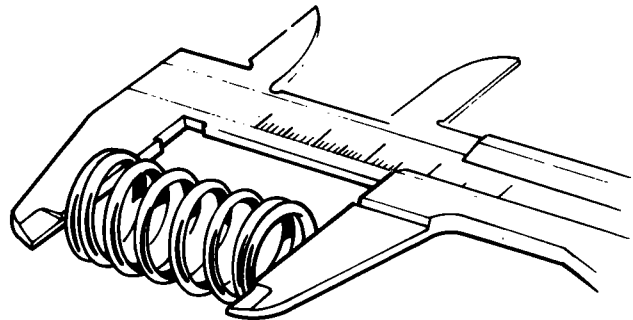
Standard	Service Limit
19.967 – 19.980 mm (0.78610 – 0.78661 in.)	19.92 mm (Replace) (0.7843 in.)

● CAMSHAFT BUSHING I.D.



Standard	Service Limit
20.063 – 20.083 mm (0.7898 – 0.79067 in.)	20.20 mm (Replace) (0.7953 in.)

● VALVE SPRING FREE LENGTH



	Standard	Service Limit
Inner	29.9 mm (1.177 in.)	29.0 mm (Replace) (1.142 in.)
Outer	36.45 mm (1.435 in.)	35.5 mm (Replace) (1.398 in.)