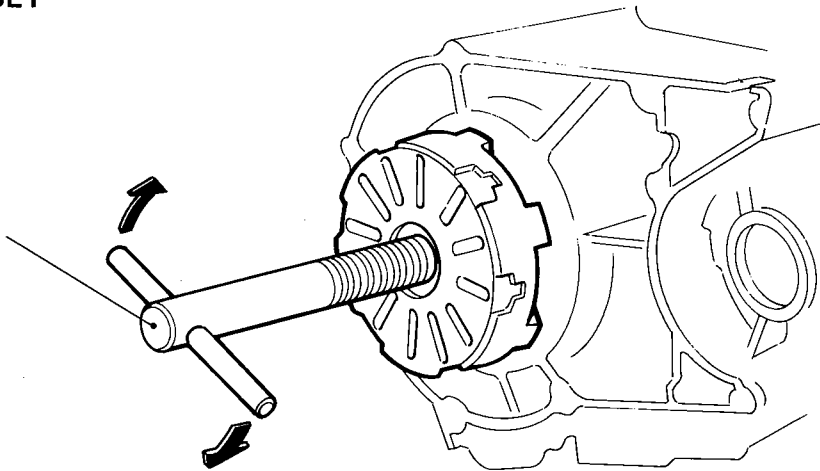


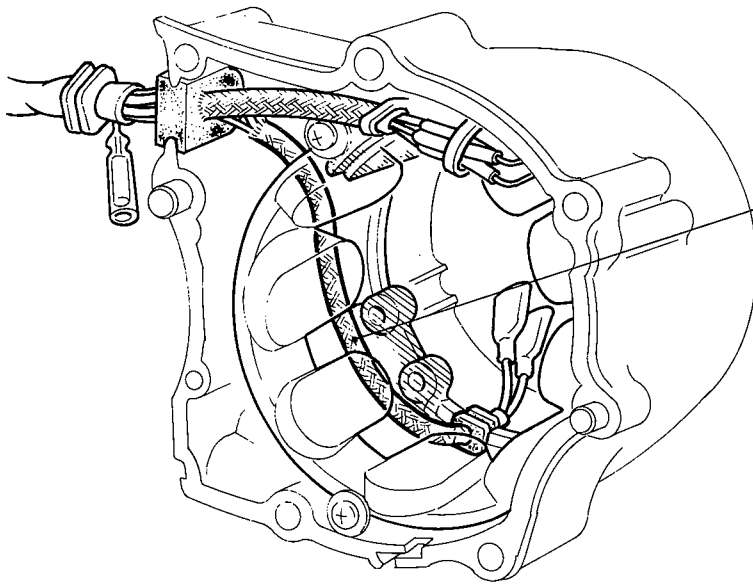
## a. DISASSEMBLY AND ASSEMBLY

### • ROTOR DISASSEMBLY

**1** ROTOR PULLER  
No. 07933-2160000



### • STATOR ASSEMBLY



**2**  
CONTACT BREAKER WIRE

#### NOTE

- Route this cord between the L-crankcase cover and stator.
- Make sure that the cord is not pinched.

### • CONTACT BREAKER DISASSEMBLY

**3** • After assembling, adjust the point gap and ignition timing. Page 64.

**5** CONTACT BREAKER

