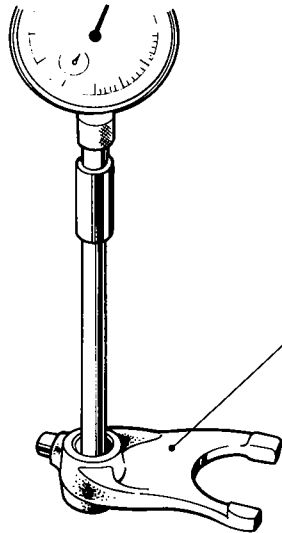


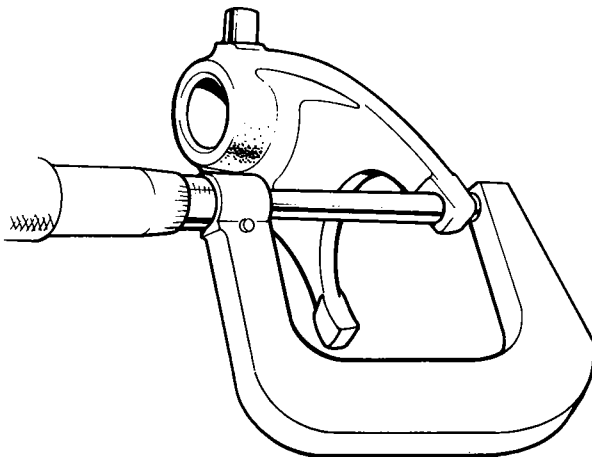
**b. INSPECTION**

• **GEARSHIFT FORK I.D.**



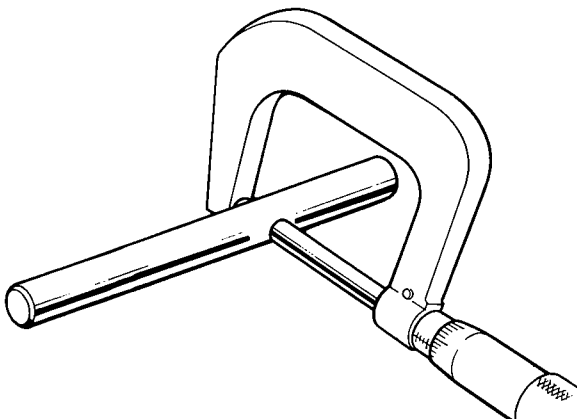
Standard	Service Limit
12.00 – 12.018 mm (0.4724 – 0.4731 in.)	12.05 mm (Replace) (0.4745 in.)

• **GEAR SHIFT FORK PAWL THICKNESS**



Standard	Service Limit
5.00 – 5.07 mm (0.7095 – 0.7103 in.)	4.70 mm (Replace) (0.1850 in.)

• **SHIFT FORK GUIDE SHAFT O.D.**



Standard	Service Limit
11.976 – 11.994 mm (0.4515 – 0.4722 in.)	11.96 mm (Replace) (0.4709 in.)