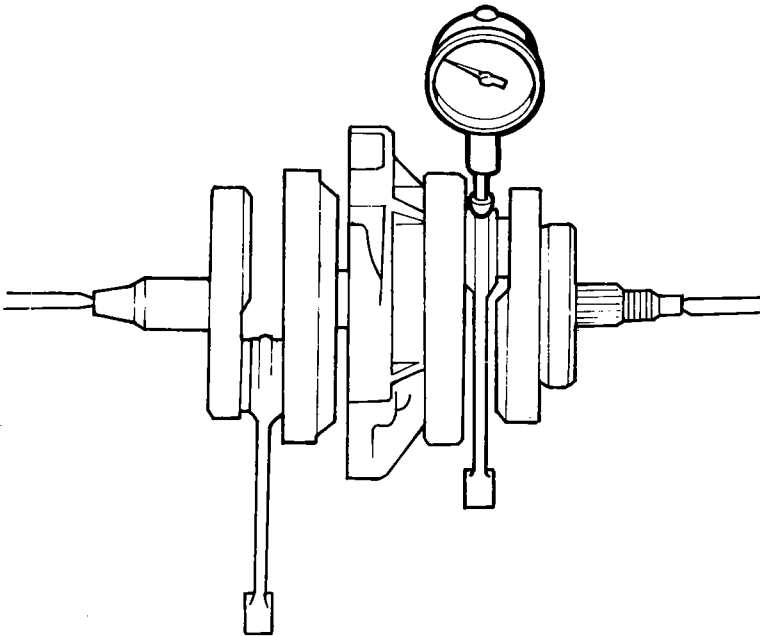
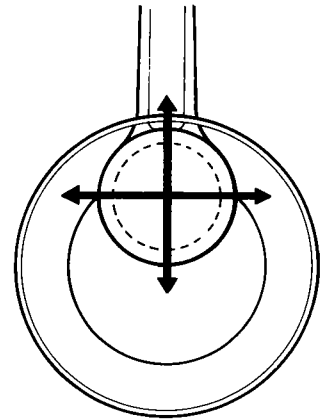


• CONNECTING ROD BIG END RADIAL PLAY

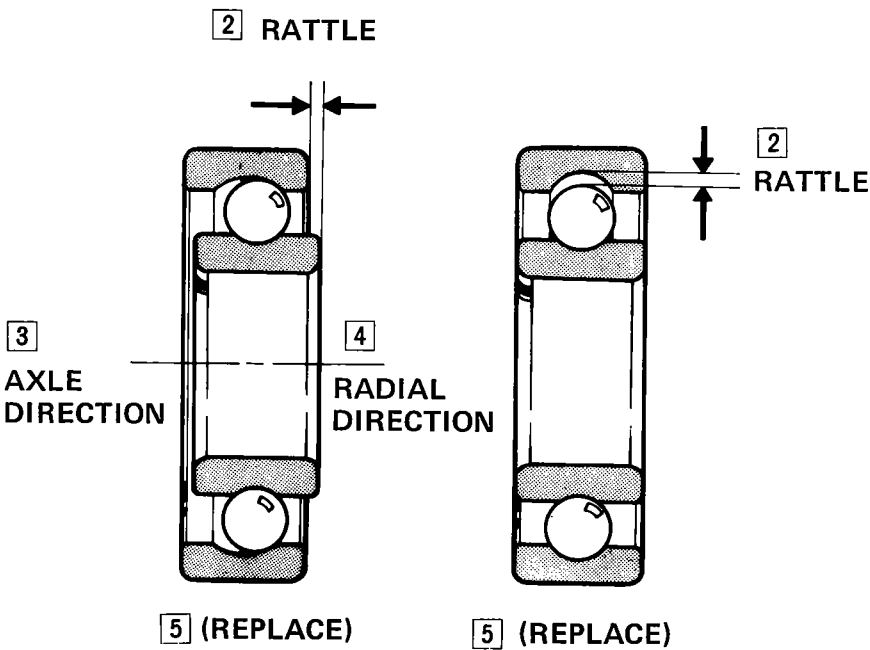


1 Connecting rod should be checked in two directions as shown.



Standard	Service Limit
0.004 - 0.012 mm (0.000157 - 0.000472 in.)	0.05 mm (Replace) (0.00197 in.)

• CRANKSHAFT BALL BEARING PLAY



• TRANSMISSION GEAR

