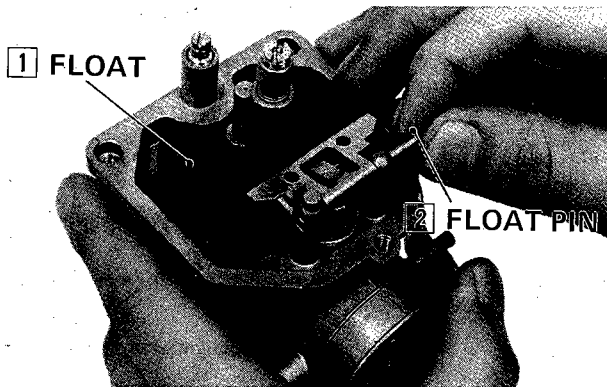


• FLOAT VALVE



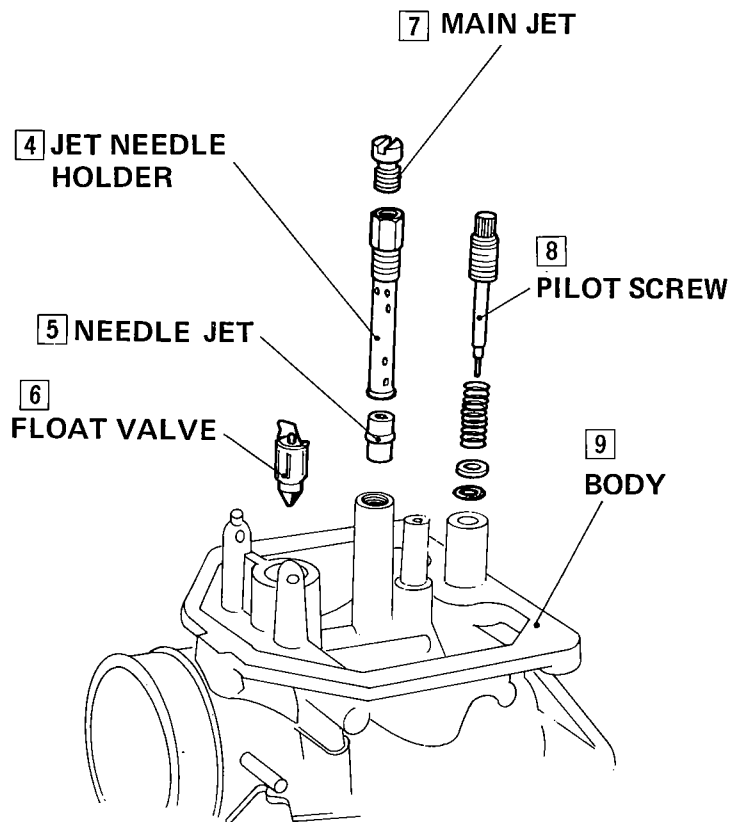
3

- The float valve can be removed off the float by removing the float pin.

NOTE

Before assembling, check the needle valve and seat for wear or presence of dirt.

• CARBURETOR JETS



12

JET NEEDLE HOLDER

11 MAIN JET

10 PILOT SCREW

13

NOTE

- At assembly, be sure to handle jets carefully.
- The openings should be cleaned out with an approved solvent. Clean the jets and passages with cleaning solvent or compressed air.