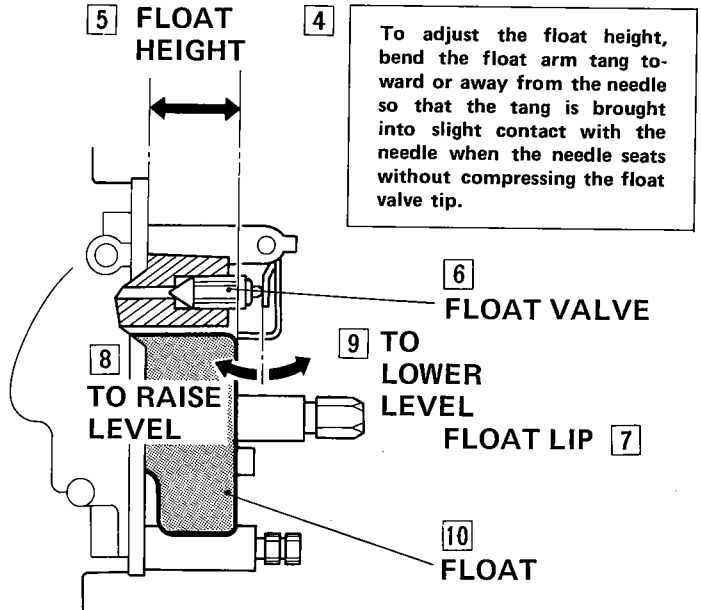
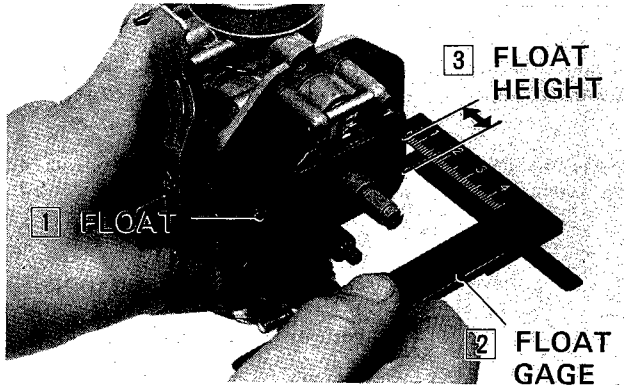
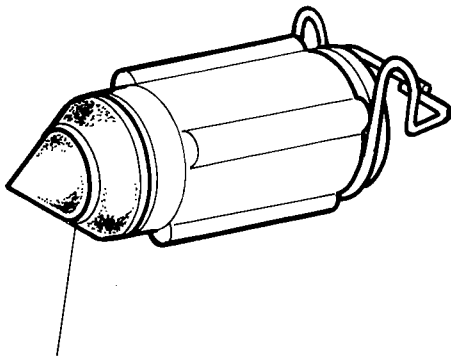


## b. INSPECTION

### • FLOAT HEIGHT ADJUSTMENT



### • FLOAT VALVE



11 Check for wear on the seating surface of the float valve.

### • CARBURETOR SETTING CHART

ITEM	DESCRIPTION
12	Setting mark PD26A
13	Main jet # 88
14	Slow jet # 38 (Double)
15	Jet needle setting
16	
17	Return of pilot screw 1-1/4 (Std)
18	Level of fuel in bowl 12 mm (0.472 in.)
19	Engine idle speed 1,400 ± 100 rpm