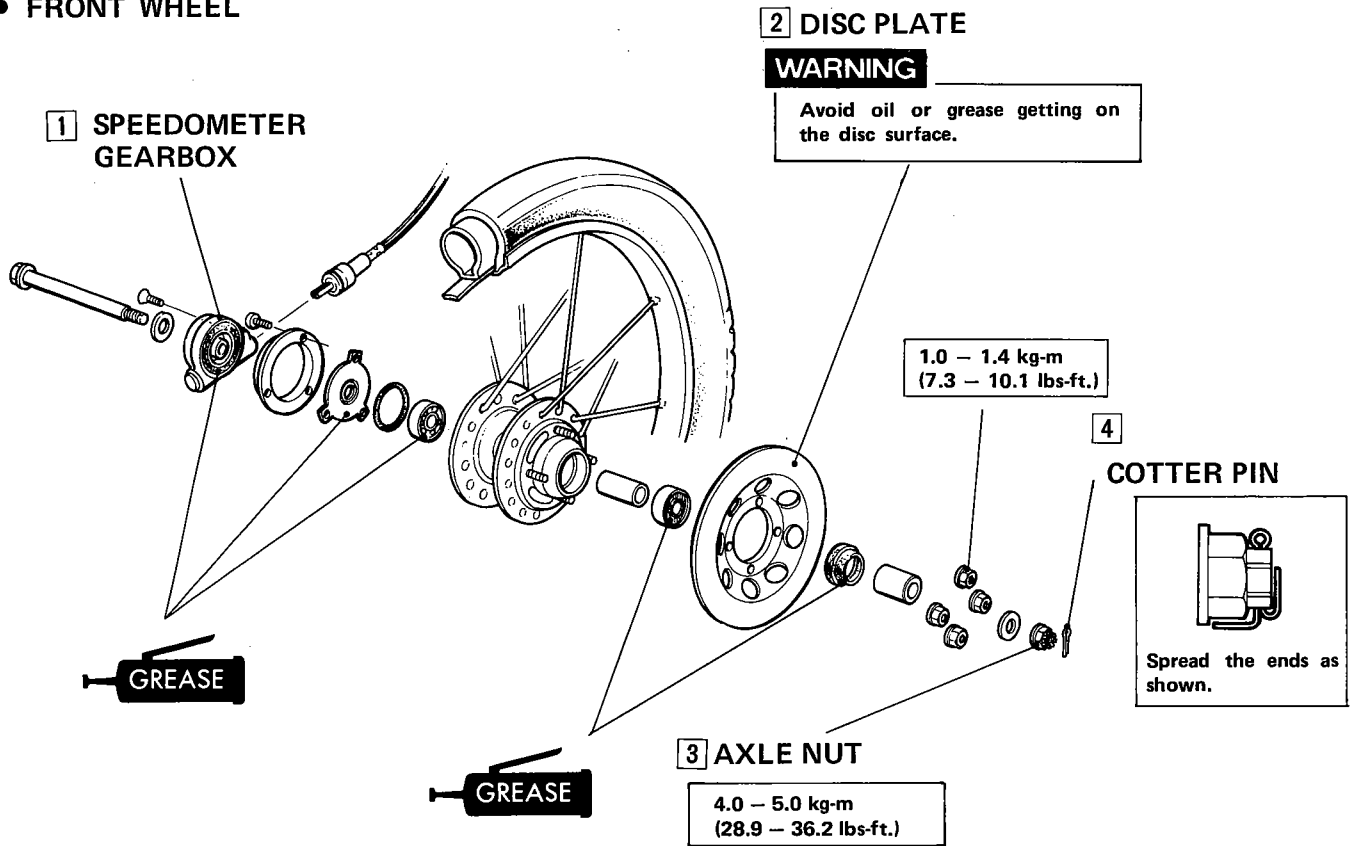
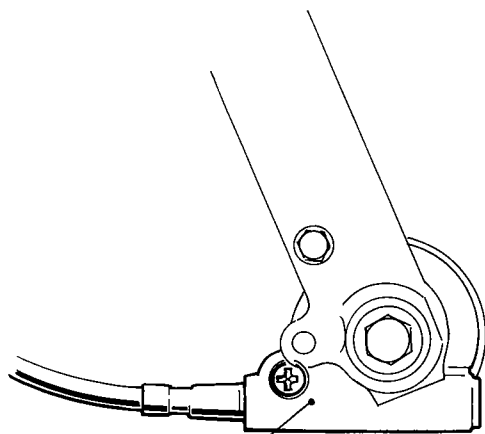


a. DISASSEMBLY AND ASSEMBLY

• FRONT WHEEL



• SPEEDOMETER GEARBOX INSTALLATION



5 SPEEDOMETER GEARBOX

6 NOTE

Install the gear box with the lower edge horizontal.

• WHEEL BEARING DRIVING

