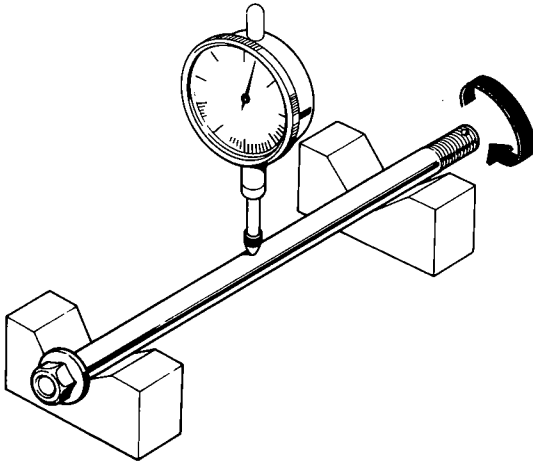


b. INSPECTION

• FRONT AXLE BEND

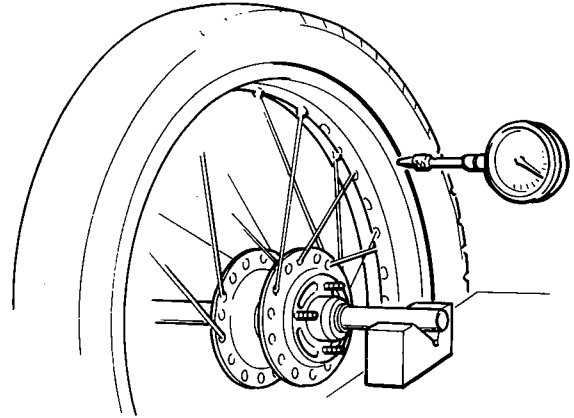


1 Divide T.I.R. by 2 to determine the actual runout in the axle.

2

	Standard	Service Limit
Axle bend	0 - 0.05 mm (0 - 0.0020 in.)	0.2 mm (Replace) (0.0079 in.)

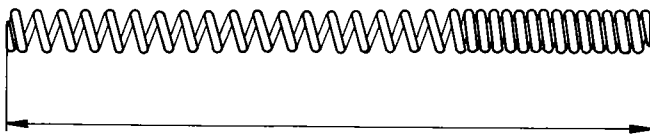
• FRONT WHEEL RUNOUT



3

	Standard	Service Limit
Face runout	0 - 0.5 mm (0 - 0.0197 in.)	2.0 mm (Replace) (0.0787 in.)
Excentricity	0 - 0.5 mm (0 - 0.0197 in.)	2.0 mm (Replace) (0.0787 in.)

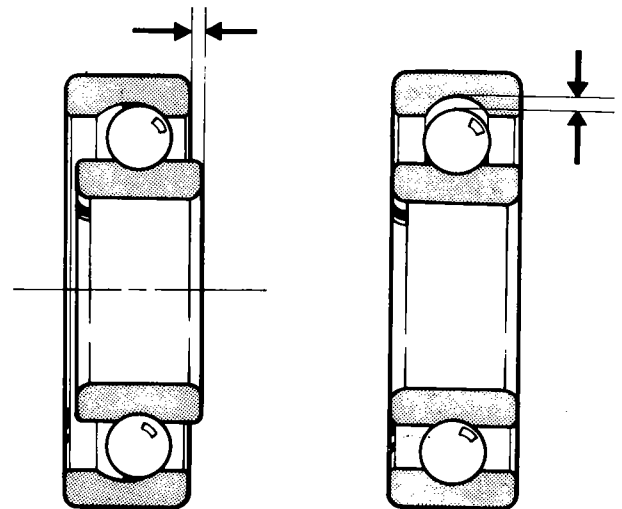
• FRONT SHOCK ABSORBER SPRING FREE LENGTH



4

Standard	Service Limit
479.6 mm (18.8819 in.)	470.6 mm (Replace) (18.5275 in.)

• WHEEL BEARING PLAY



5 (REPLACE)

5 (REPLACE)

6

- Replace the bearing if noisy.
- Replace the bearing if there is excessive rattle.