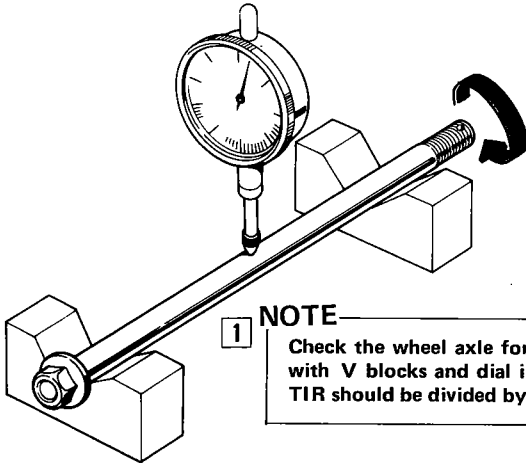


b. INSPECTION

• REAR WHEEL AXLE BEND

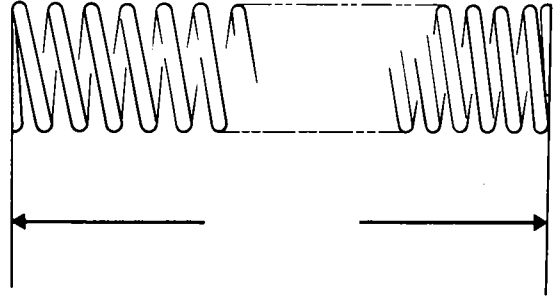


1 NOTE
Check the wheel axle for bending with V blocks and dial indicator. TIR should be divided by 2.

2

Standard	Service Limit
0 - 0.05 mm (0 - 0.0020 in.)	0.2 mm (Replace) (0.0079 in.)

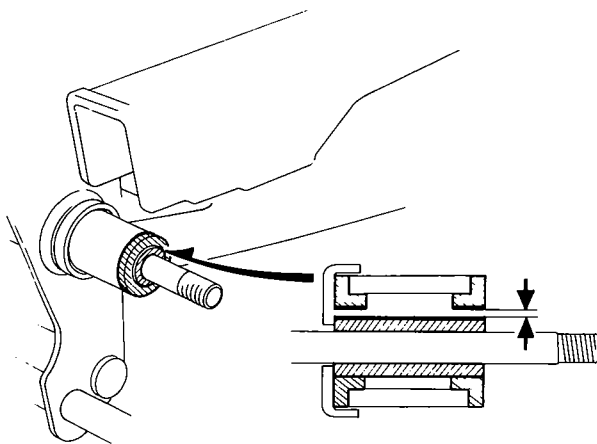
• FREE LENGTH OF REAR SHOCK ABSORBER SPRING



3

Standard	Service Limit
181.9 mm (7.1295 in.)	178.7 mm (Replace) (7.0355 in.)

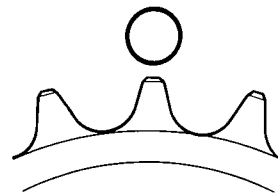
• REAR FORK PIVOT-TO-BUSHING CLEARANCE



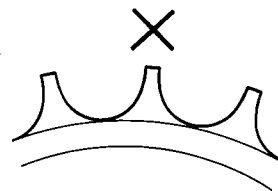
4

Standard	Service Limit
0.2 - 0.3 mm (0.0079 - 0.0118 in.)	0.5 mm (Replace) (0.0197 in.)

• FINAL DRIVEN SPROCKET WEAR



5 GOOD



6 WRONG

7 NOTE
Inspect the drive chain and drive sprocket whenever the driven sprocket is to be inspected.