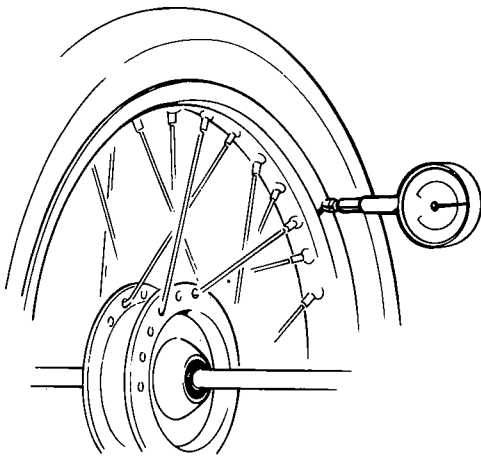


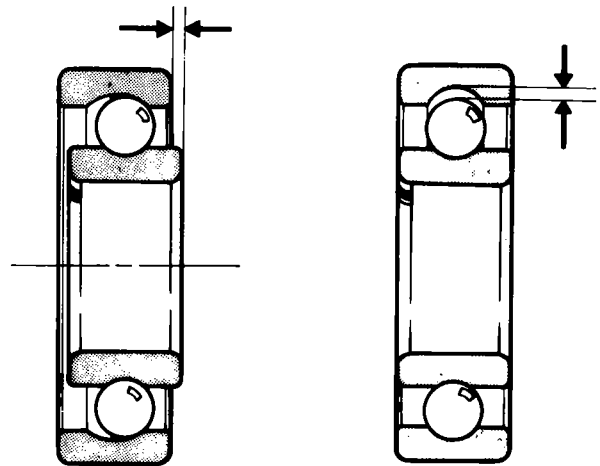
● REAR WHEEL RUNOUT



1

	Standard	Service Limit
Axial runout	0.5 mm max. (0.0197 in.)	2.0 mm (0.0787 in.) (Repair or replace)
Radial runout	0.5 mm max. (0.0197 in.)	2.0 mm (0.0787 in.) (Repair or replace)

● WHEEL BEARING PLAY



2 REPLACE

2 REPLACE

3 Replace the bearing with a new one if there is excessive rattle in both the radial and axial directions or noisy.

● REAR DAMPER INSPECTION

