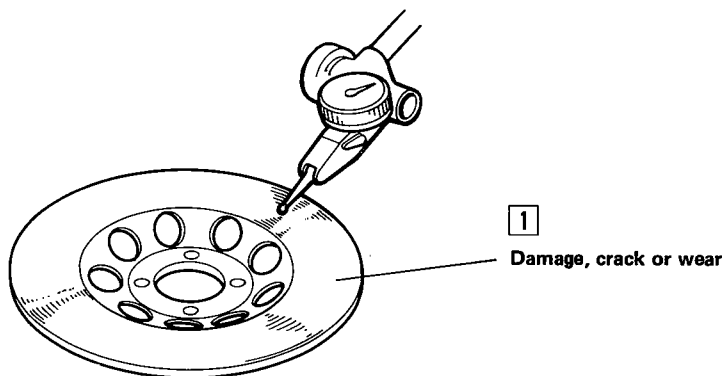


## b. INSPECTION

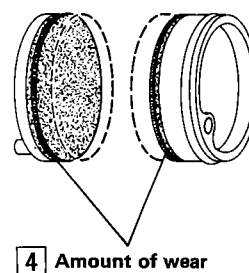
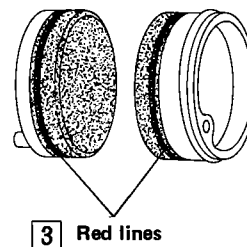
### • BRAKE DISC WARPAGE, THICKNESS AND RUNOUT



2

	Standard	Service Limit
Warpage	0 - 0.15 mm (0 - 0.0059 in.)	2.0 mm (Replace) (0.0787 in.)
Runout	0 - 0.5 mm (0 - 0.0197 in.)	2.0 mm (Replace) (0.0787 in.)
Thickness	5.0 mm (0.1969 in.)	4.0 mm (Replace) (0.1575 in.)

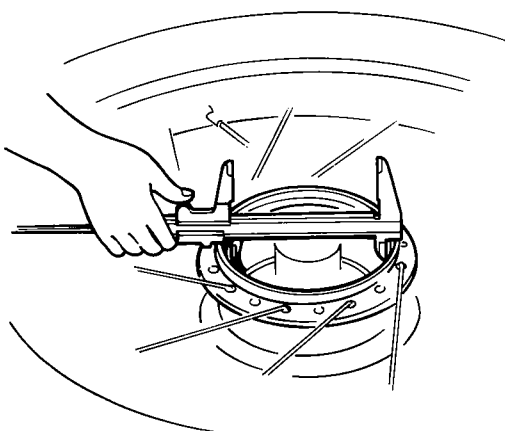
### • BRAKE PAD WEAR



5

Replace the pad if it wears to the red line.

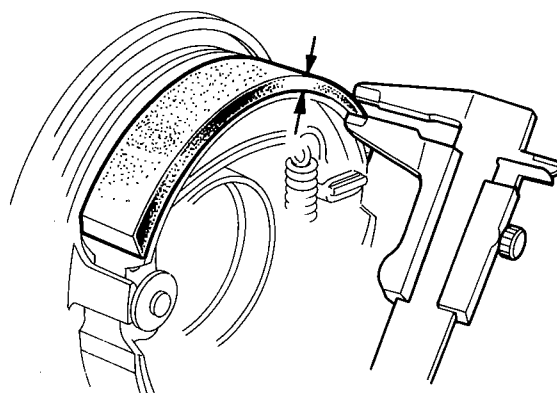
### • REAR WHEEL HUB I.D.



6

Standard	Service Limit
130.0 mm (5.1181 in.)	131.0 mm (Replace) (5.1575 in.)

### • BRAKE LINING THICKNESS



7

Standard	Service Limit
4.0 mm (0.1574 in.)	2.0 mm (Replace) (0.0787 in.)